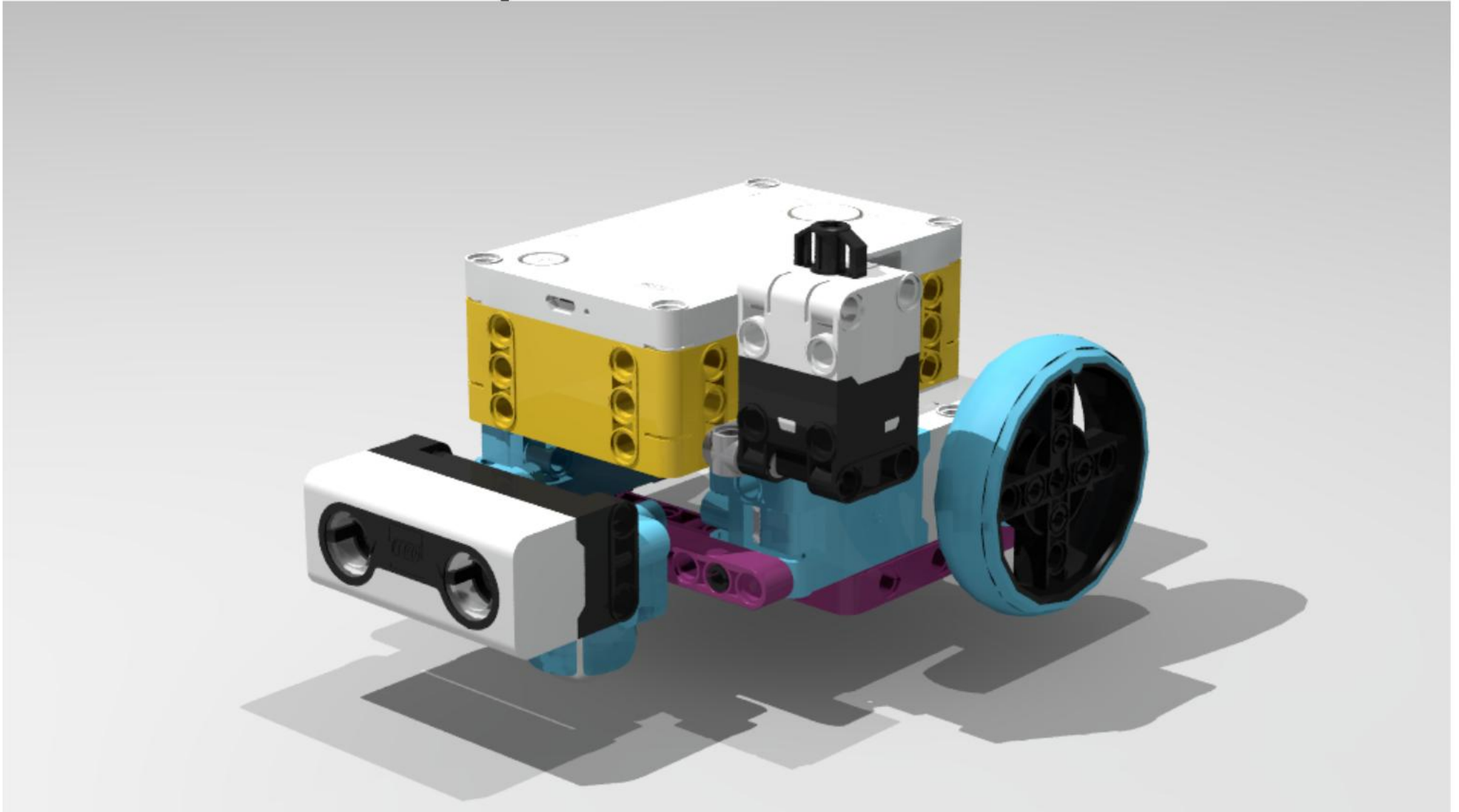


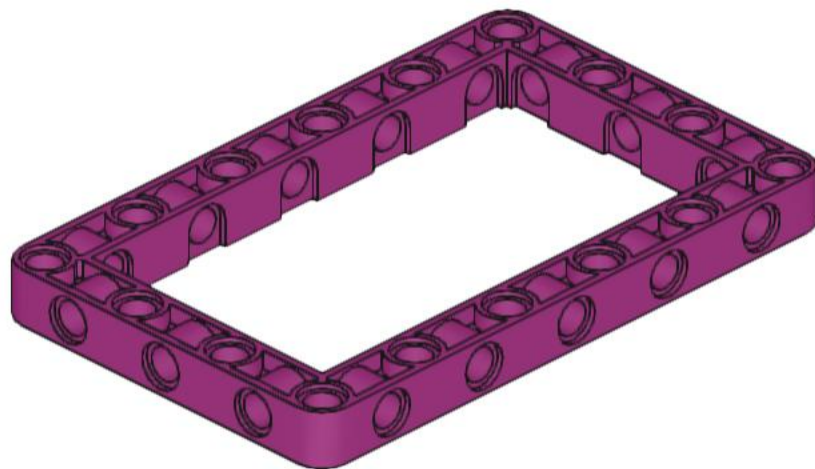
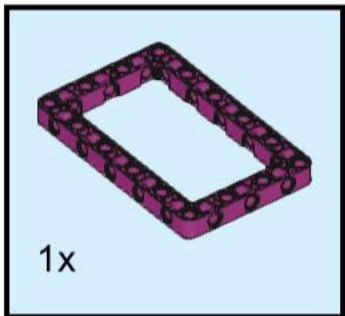
# Infinite Loop Distance Sensor Bot



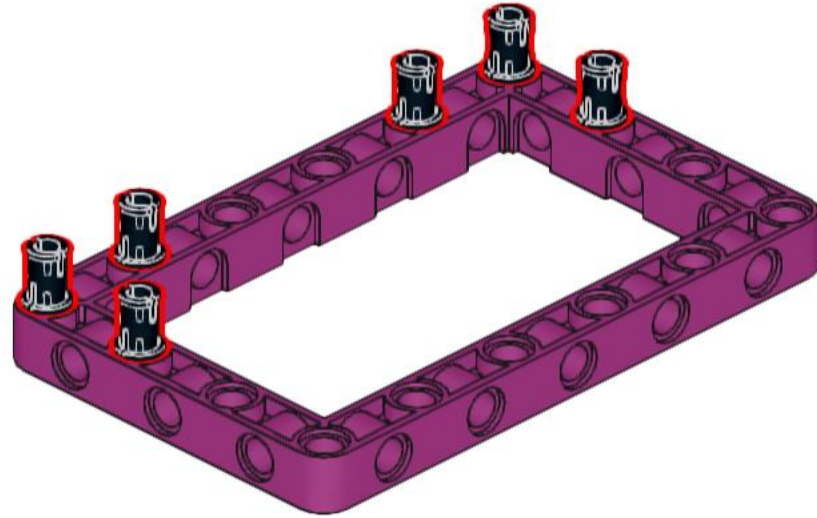
Stand Alone Lesson

Building Instructions by Wesley John Smith

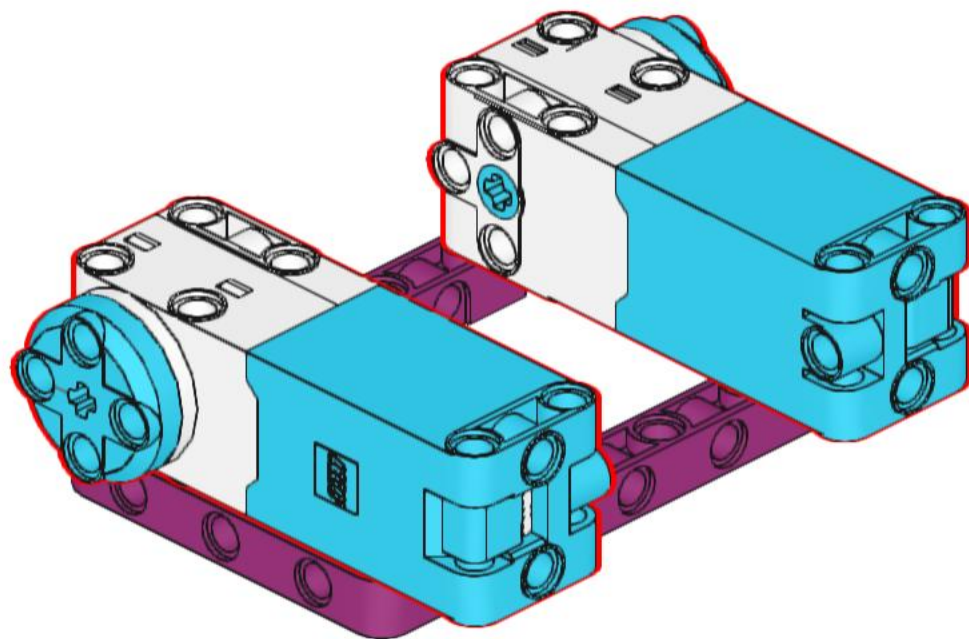
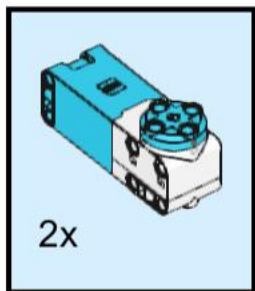
1



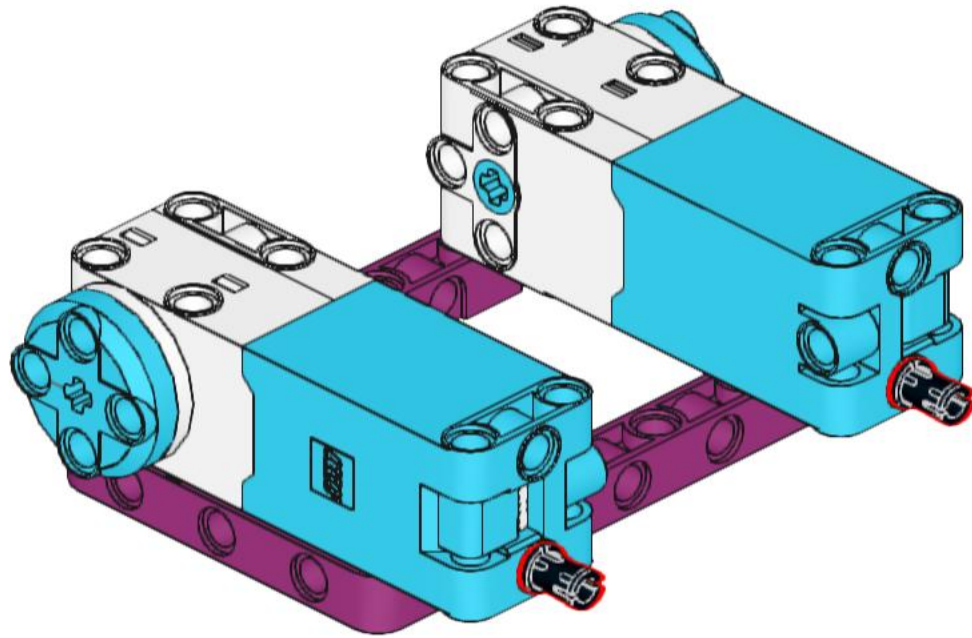
2



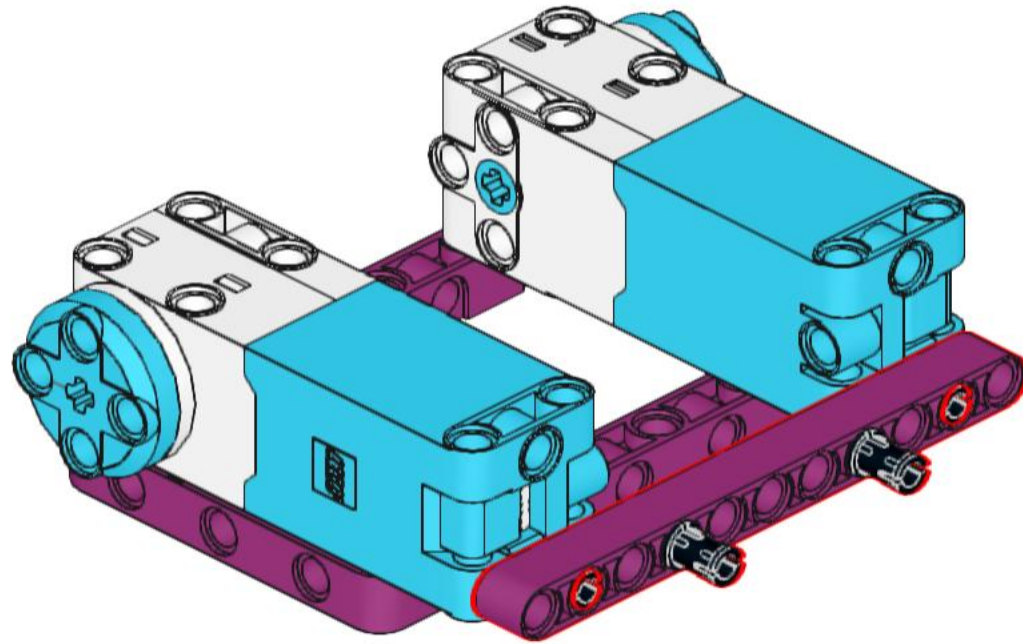
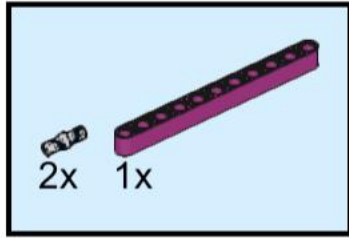
3



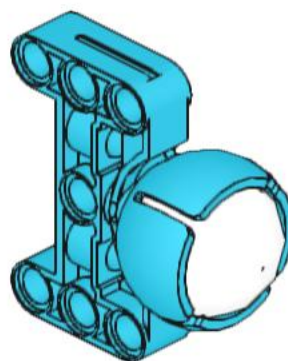
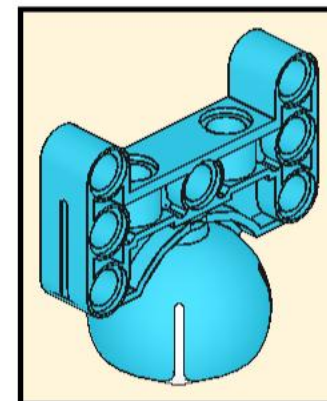
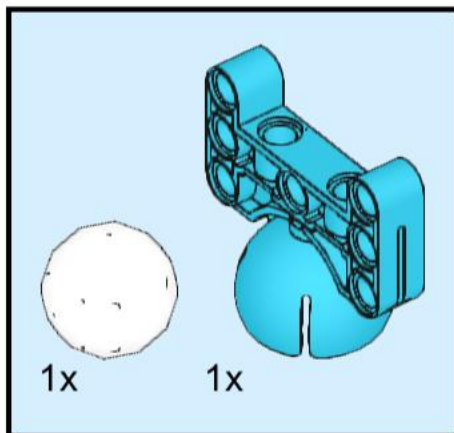
4



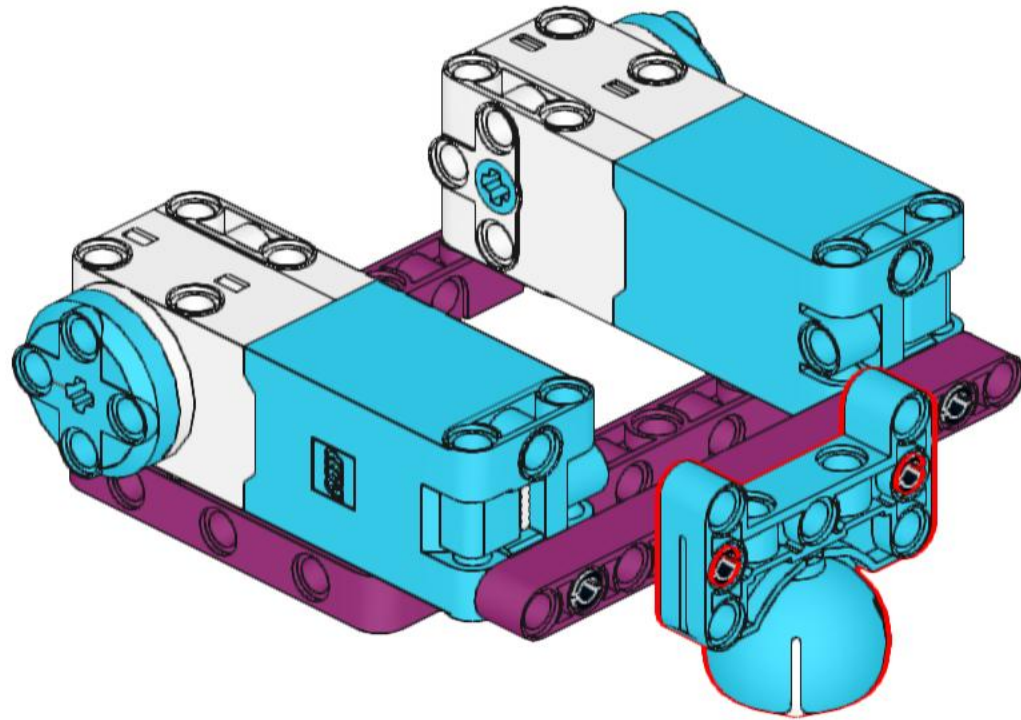
5



6

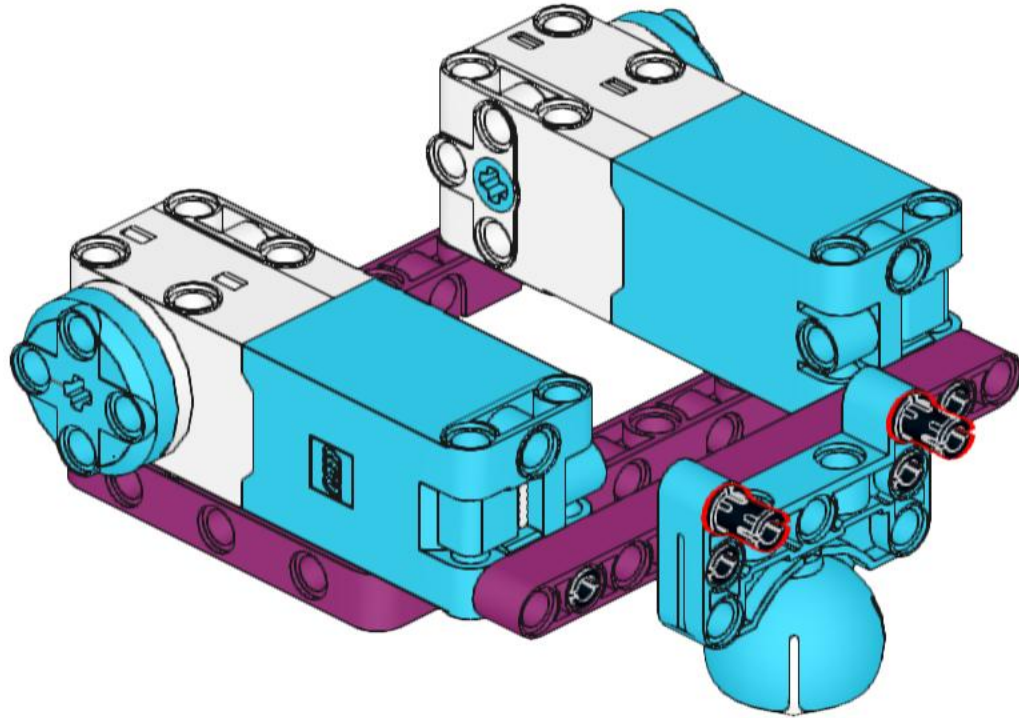


7

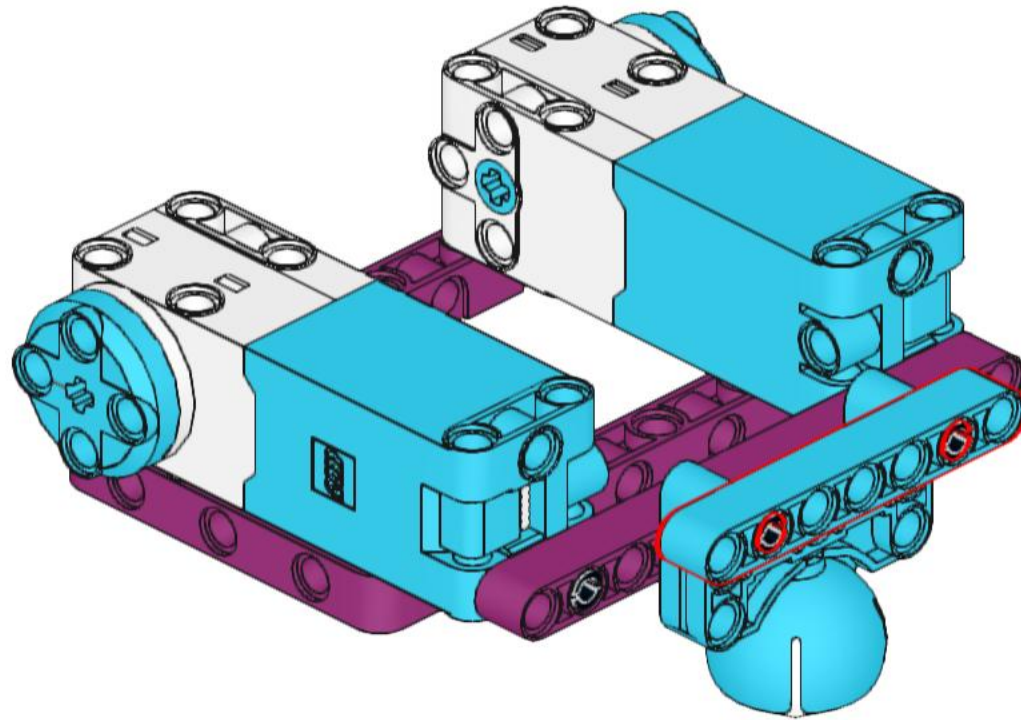
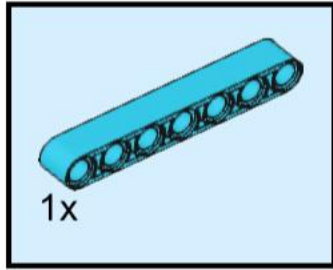




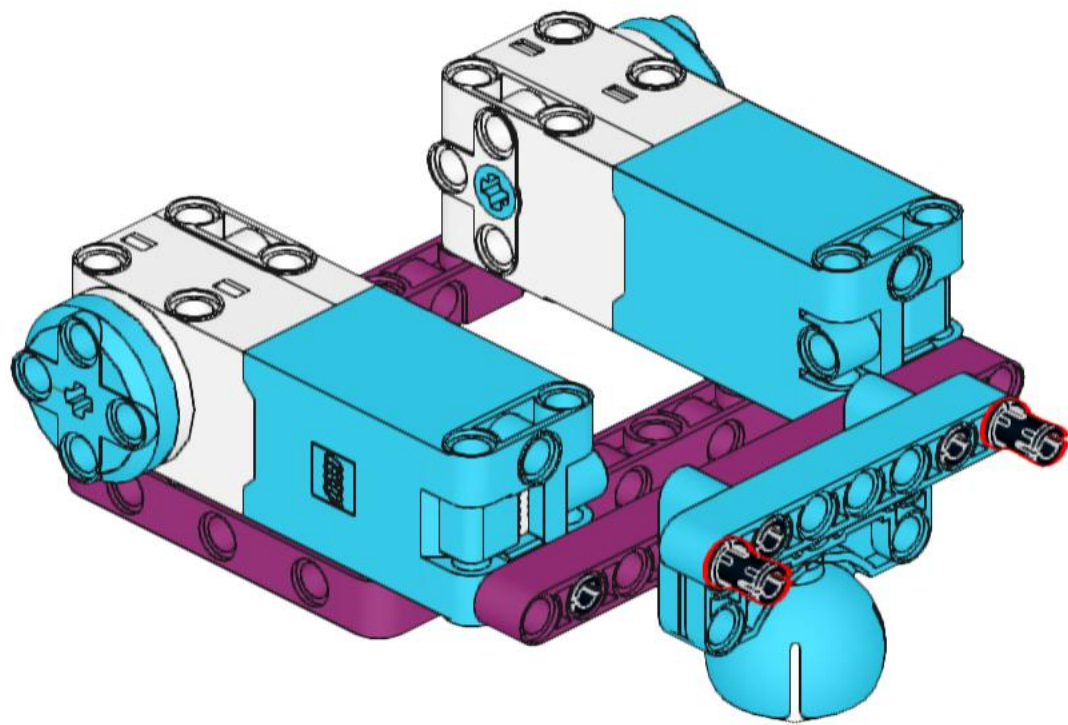
8



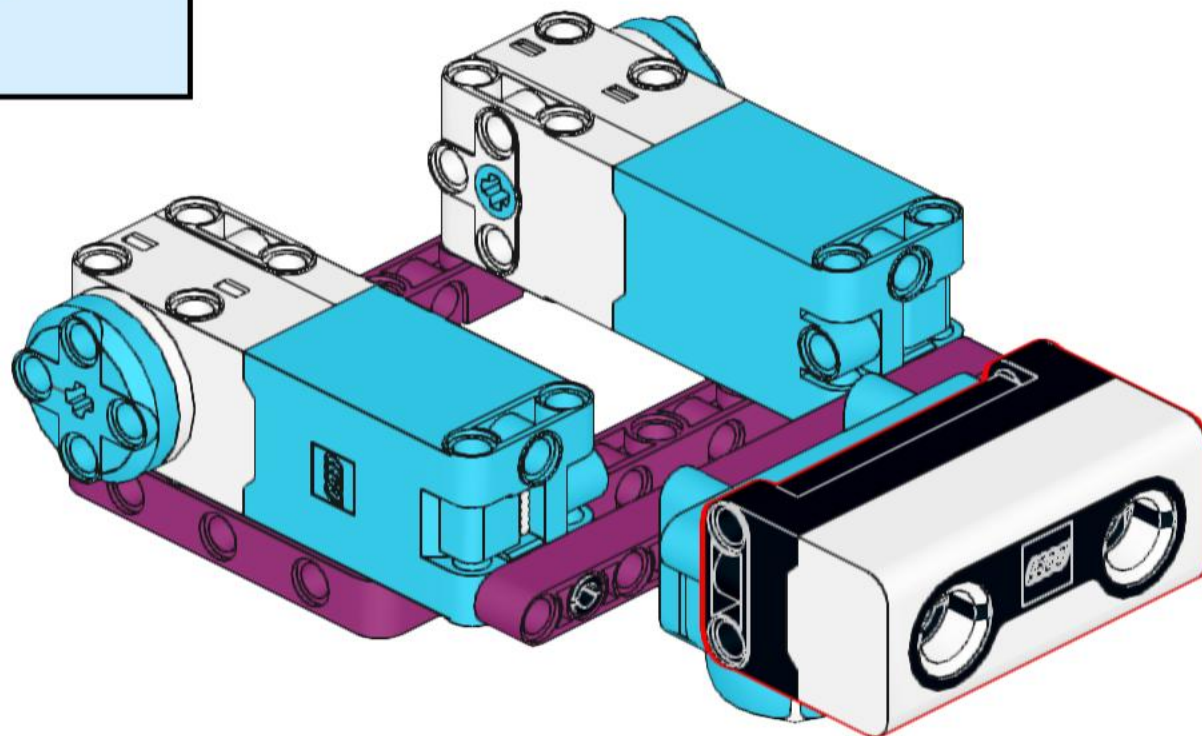
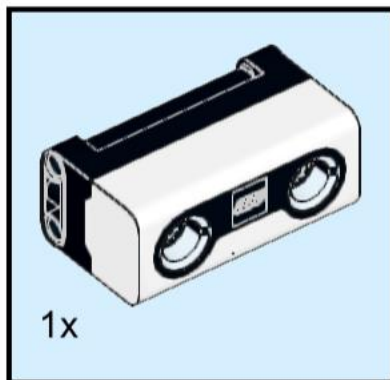
9



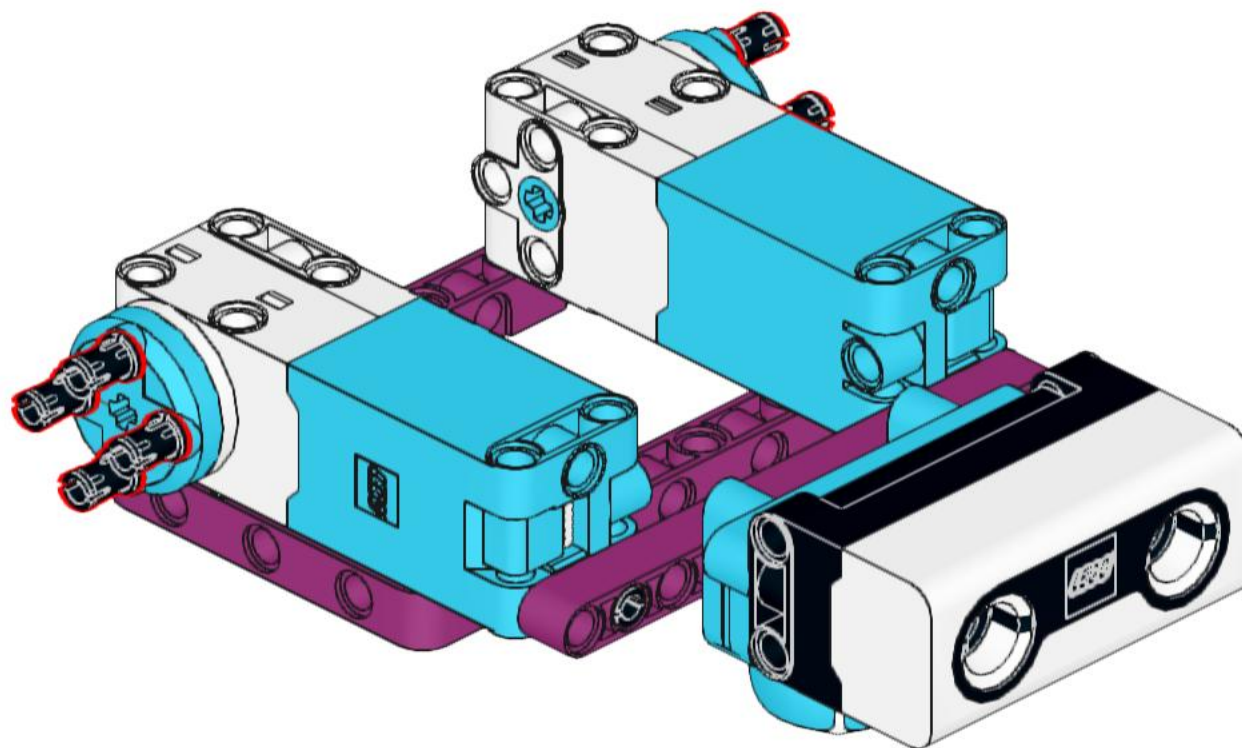
# 10



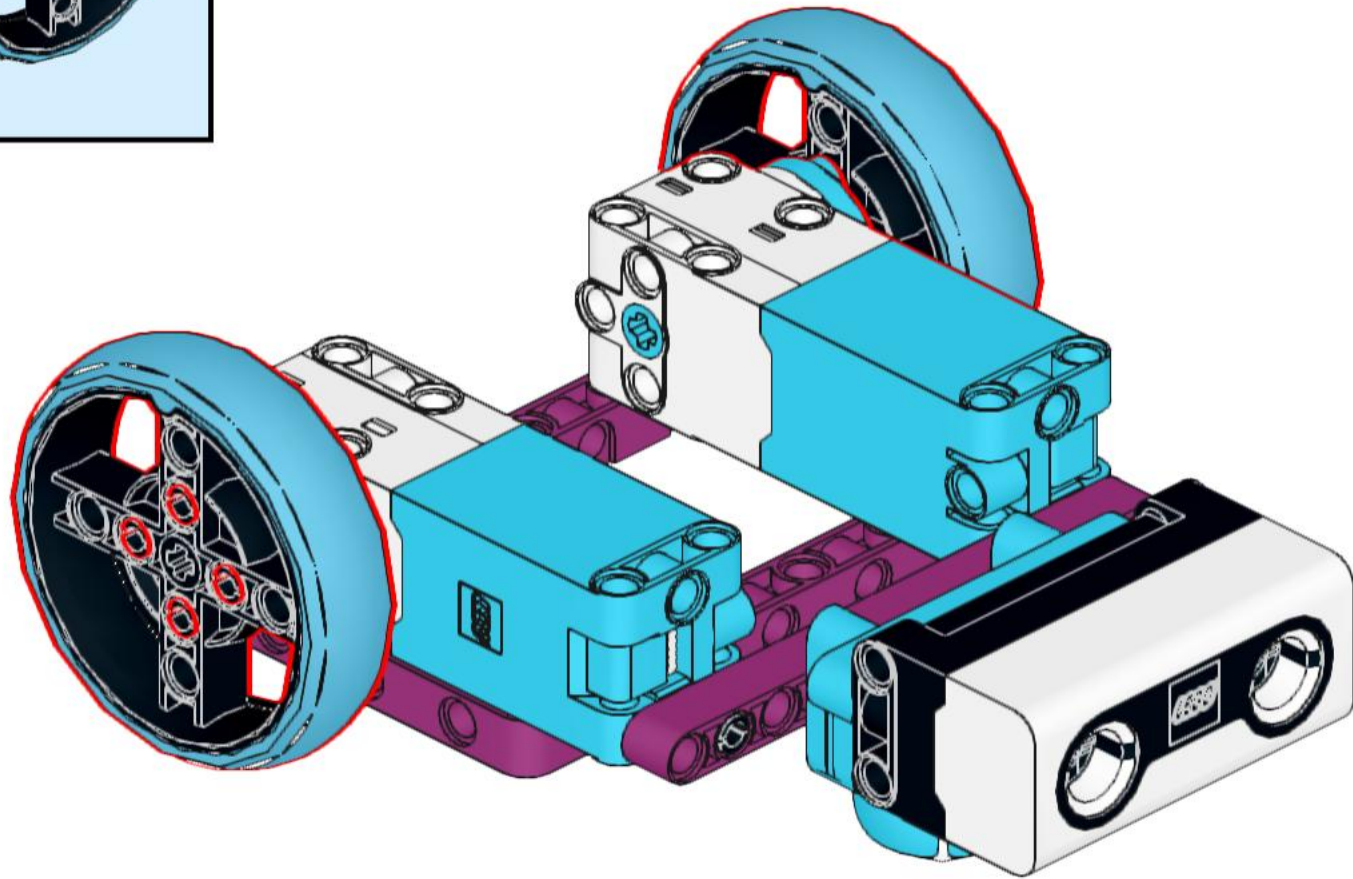
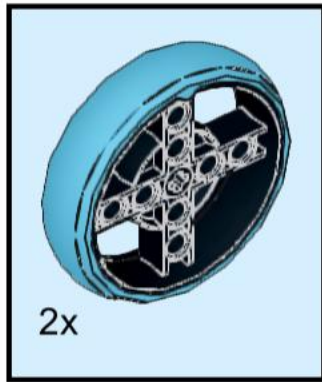
# 11



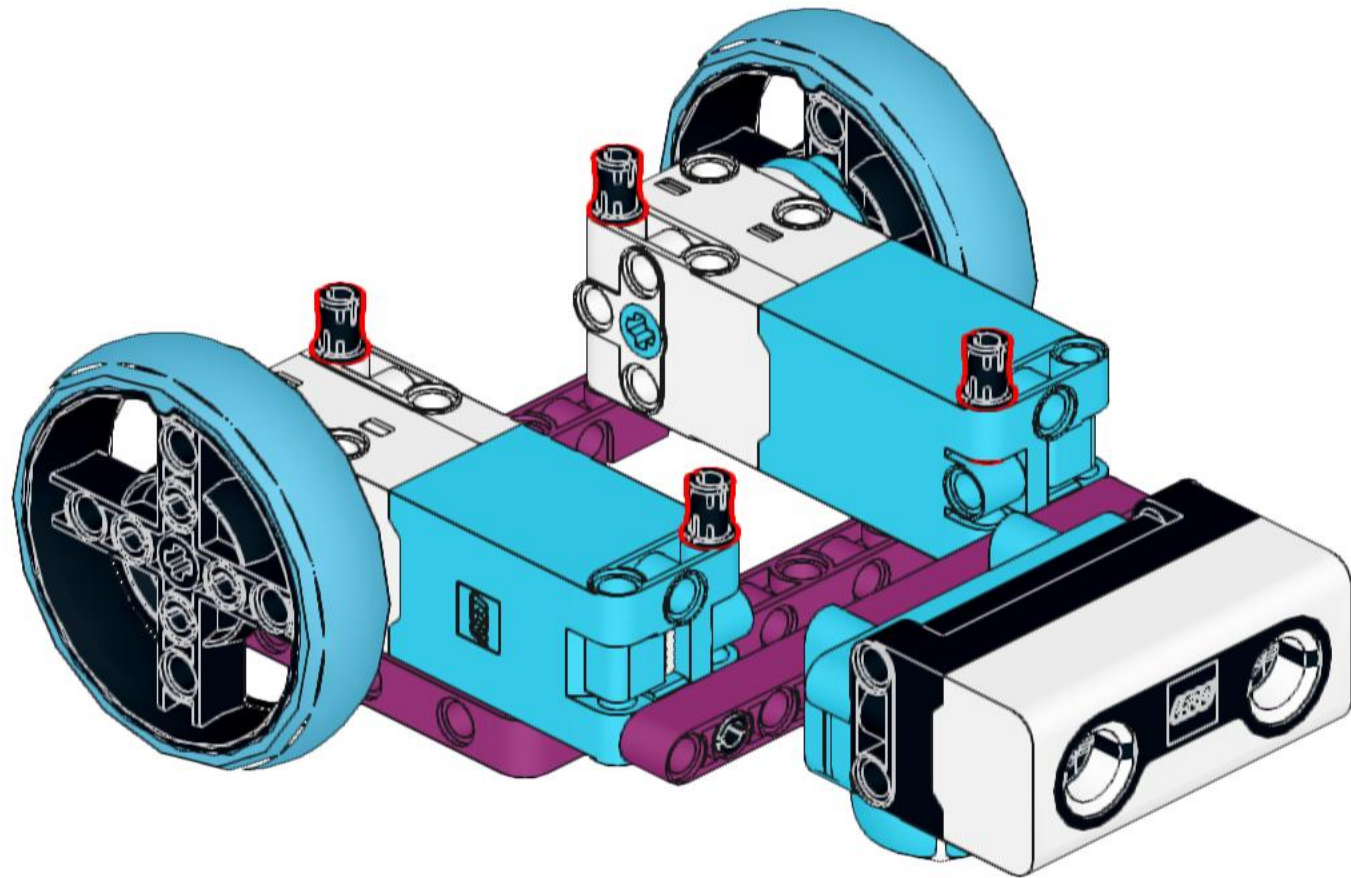
# 12



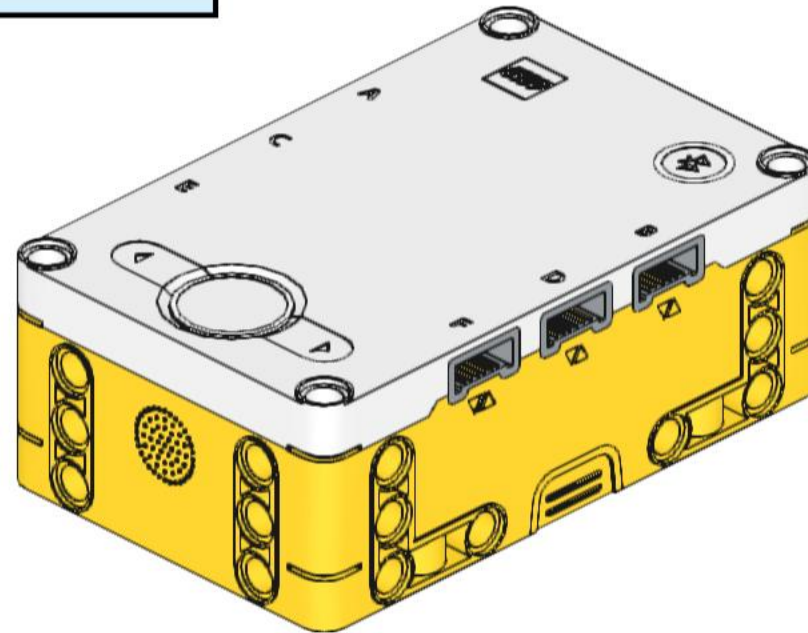
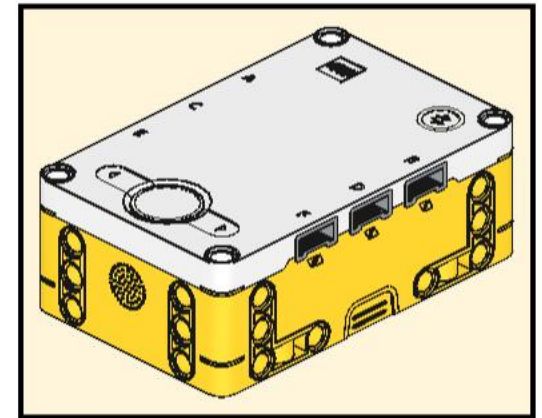
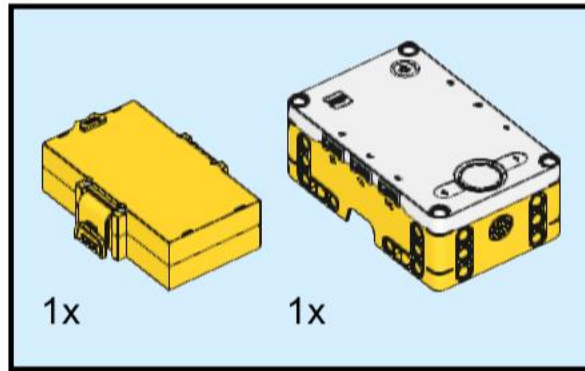
# 13



# 14

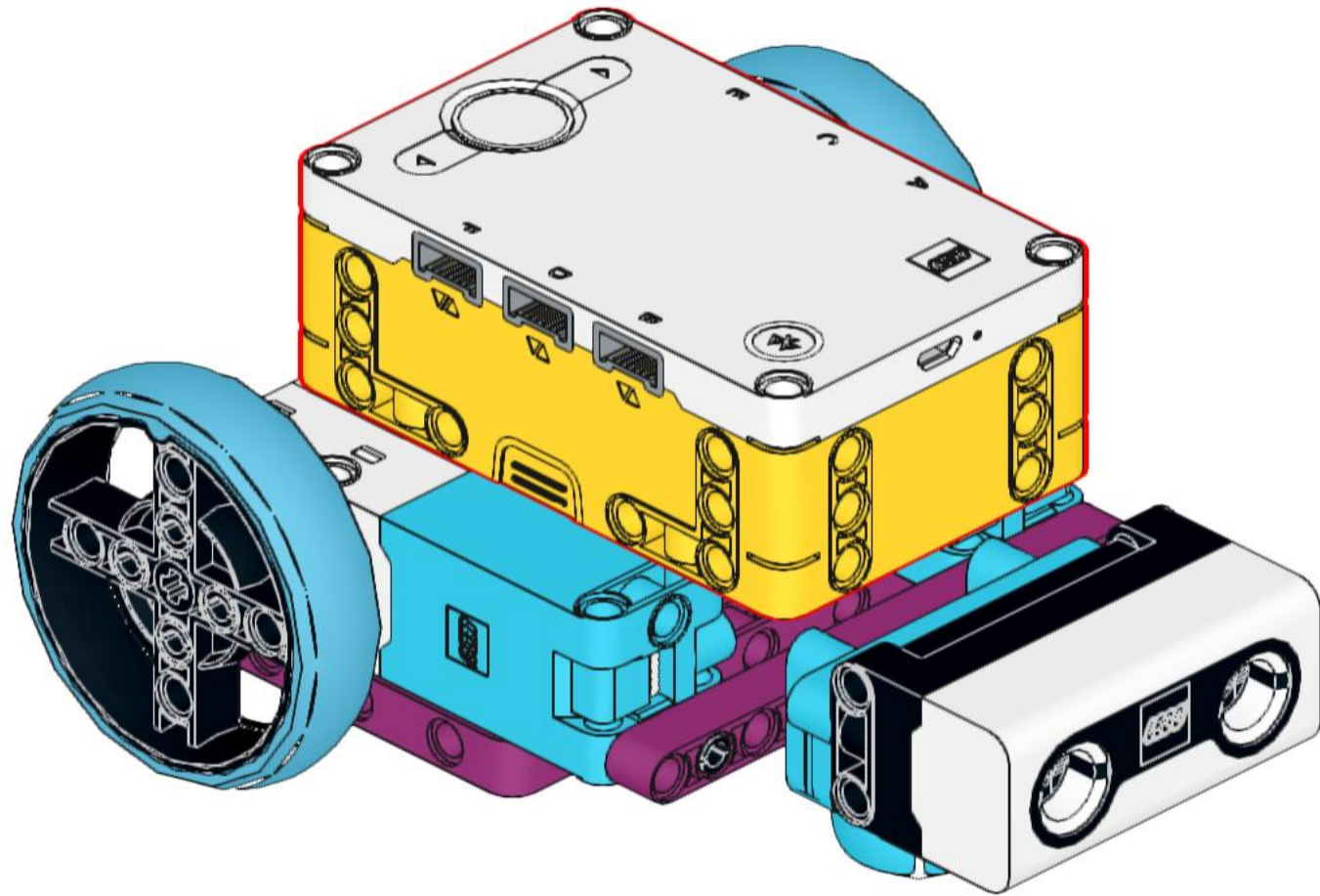


# 15

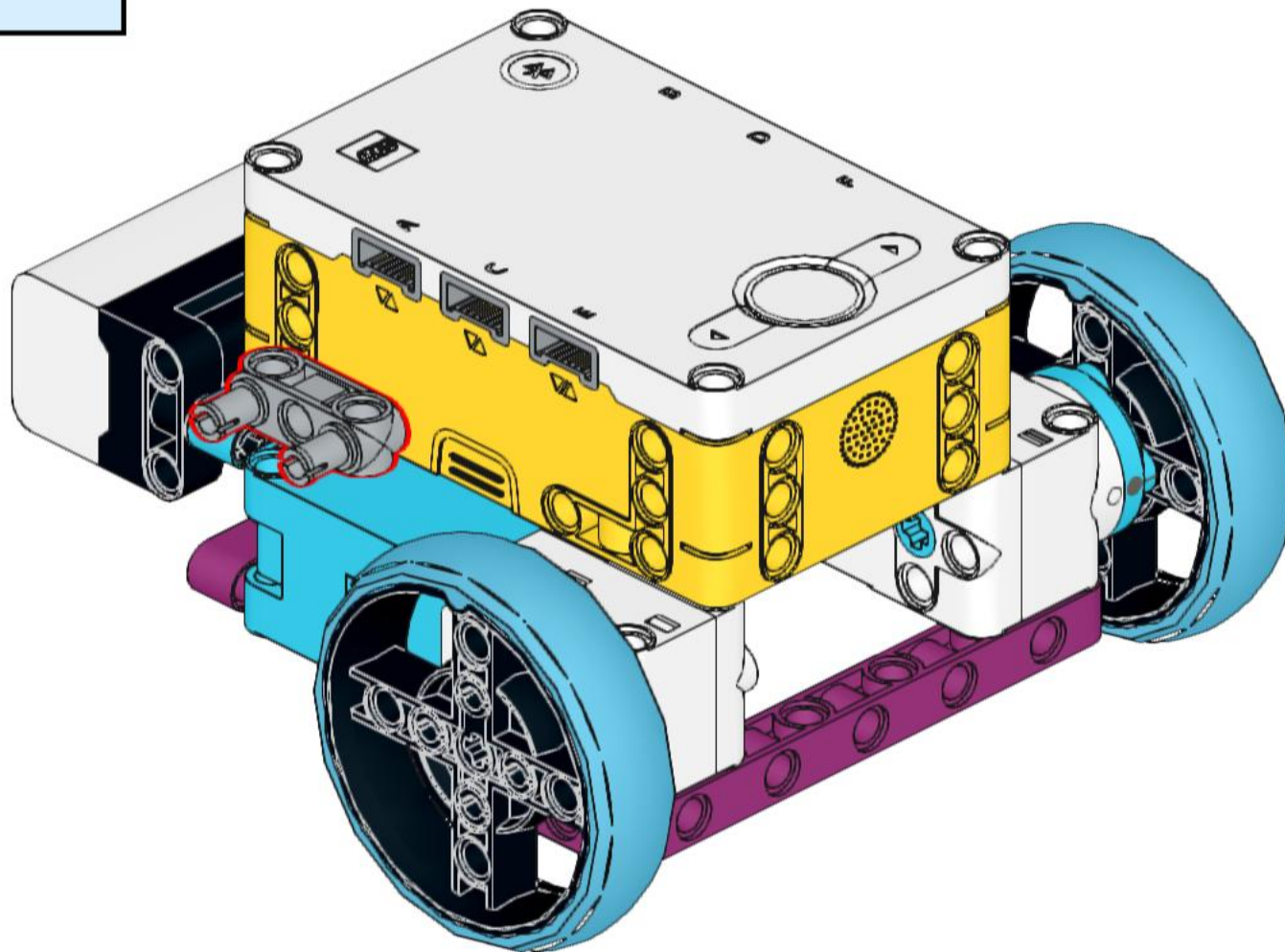
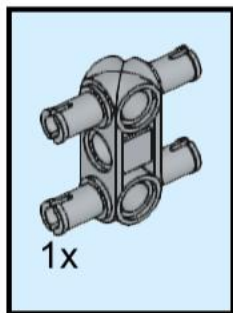




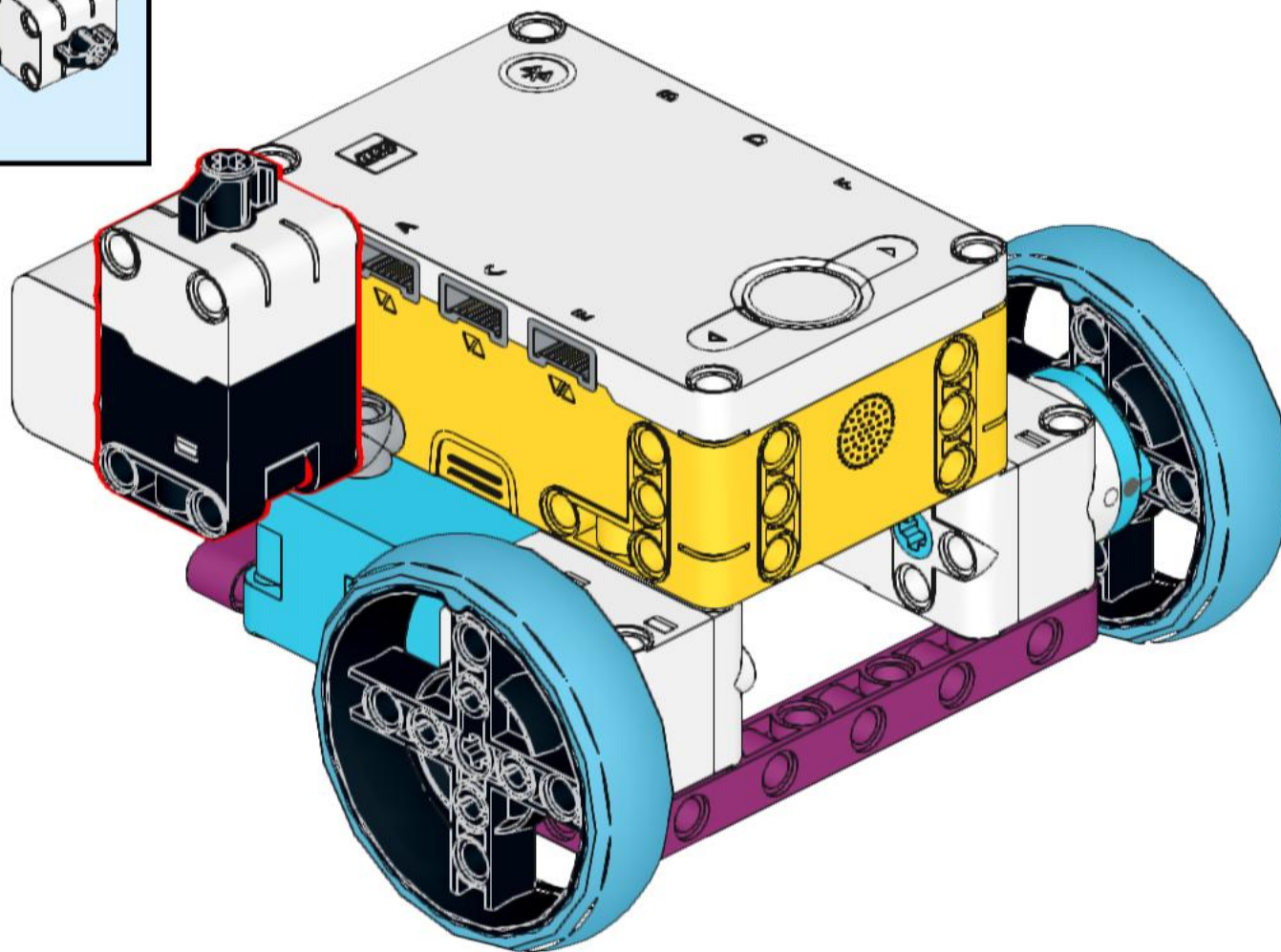
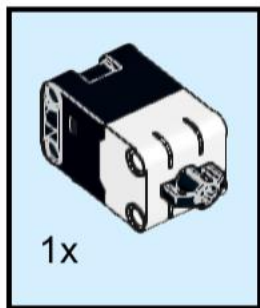
# 16



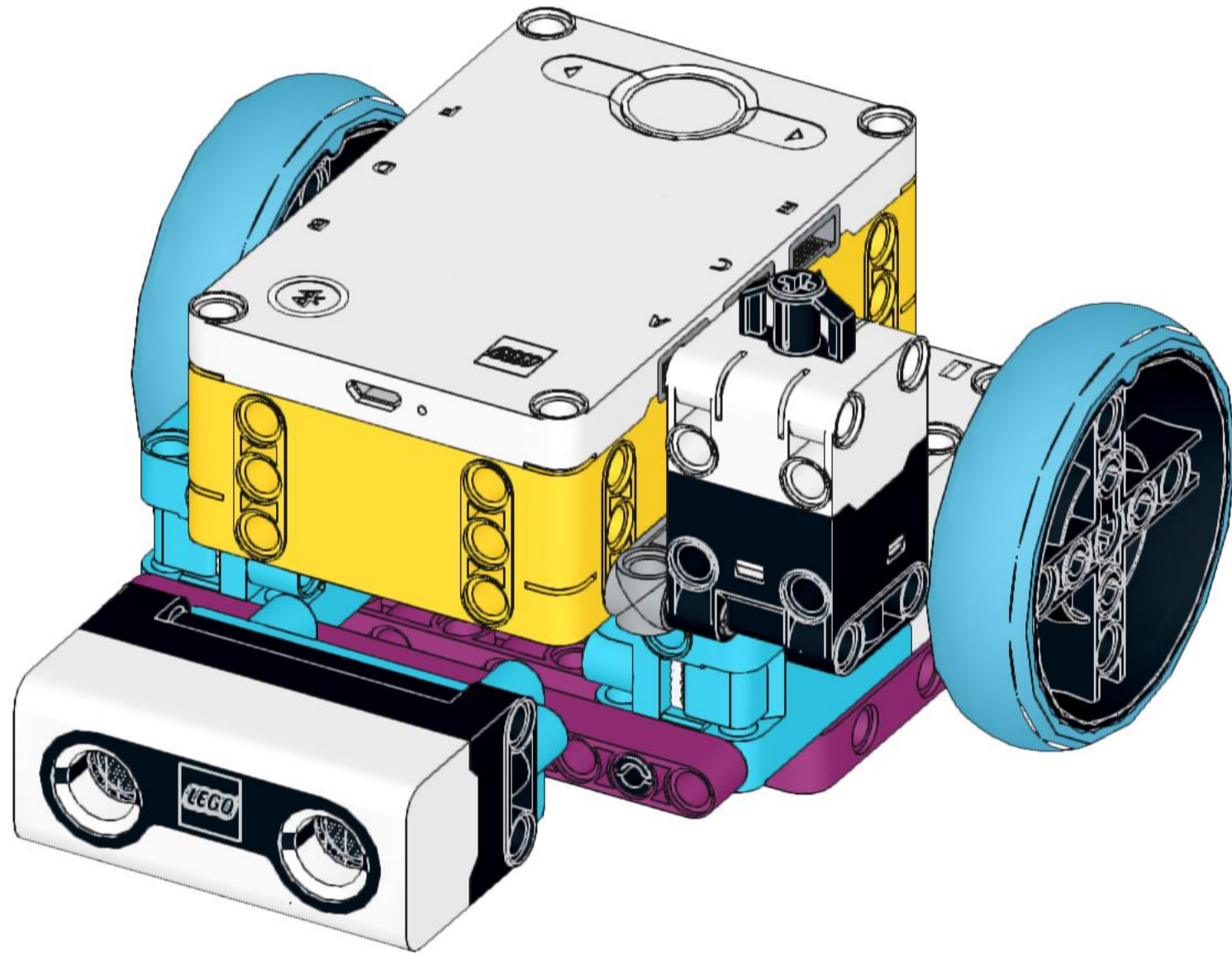
# 17



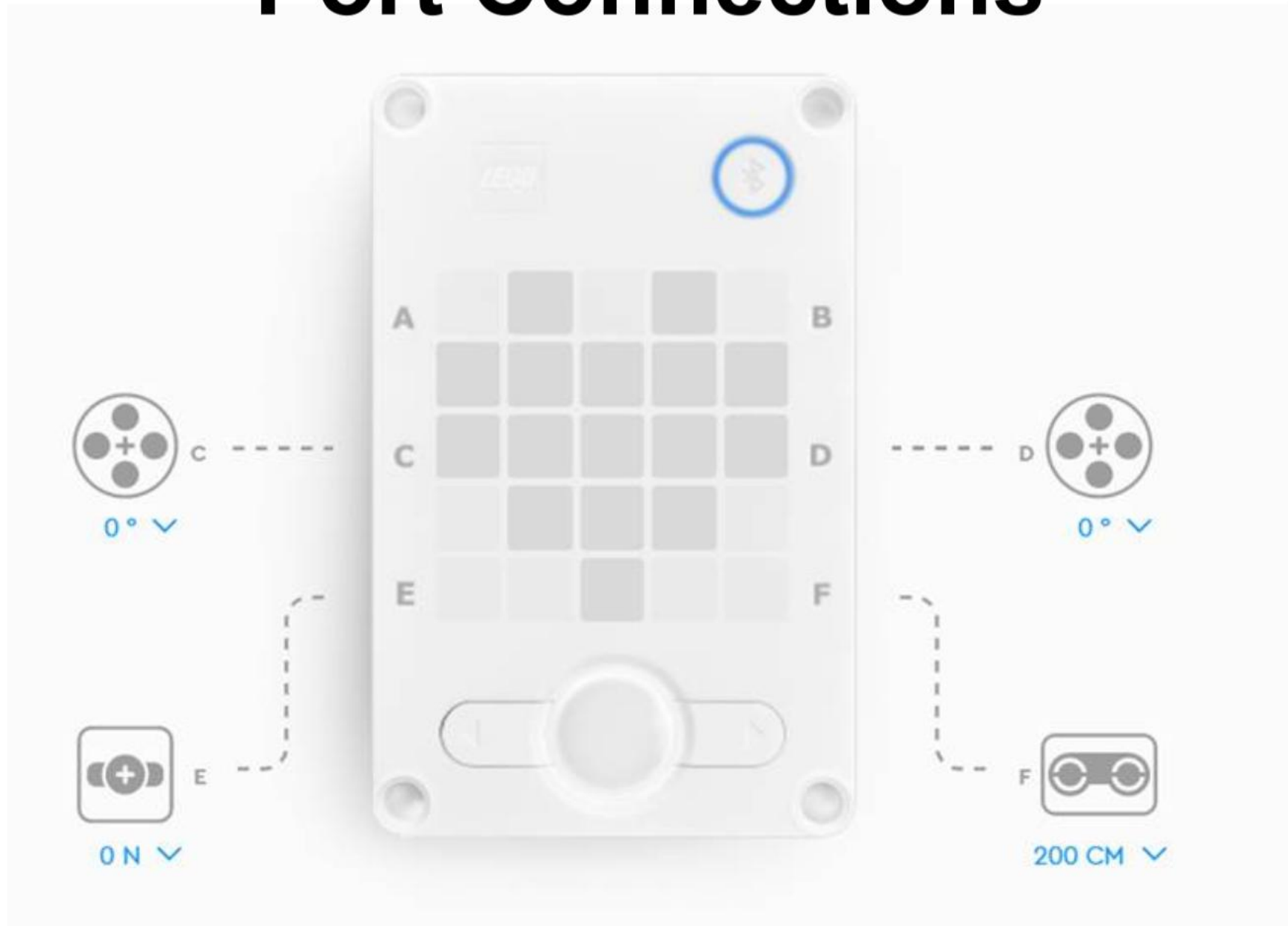
# 18



# 19



# Port Connections



# Coding Hints

