

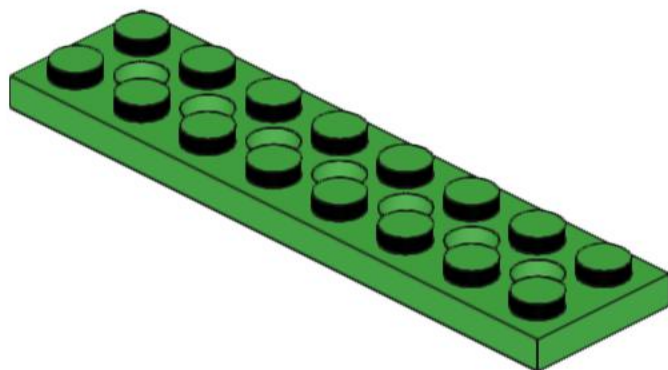
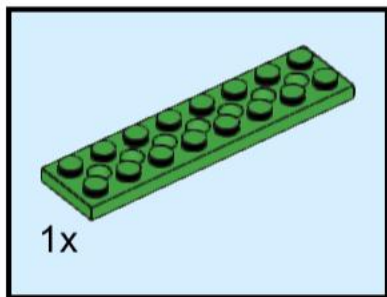
Tilt Drive Controller



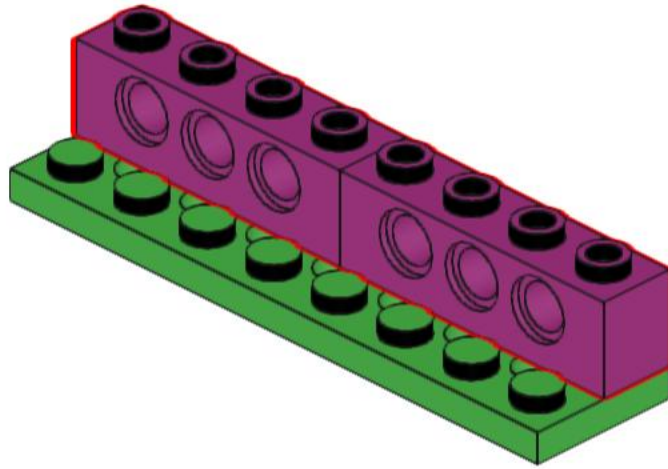
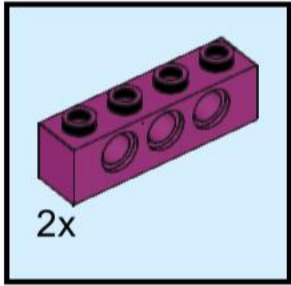
Stand Alone Lesson

Building Instructions By: Wesley John Smith

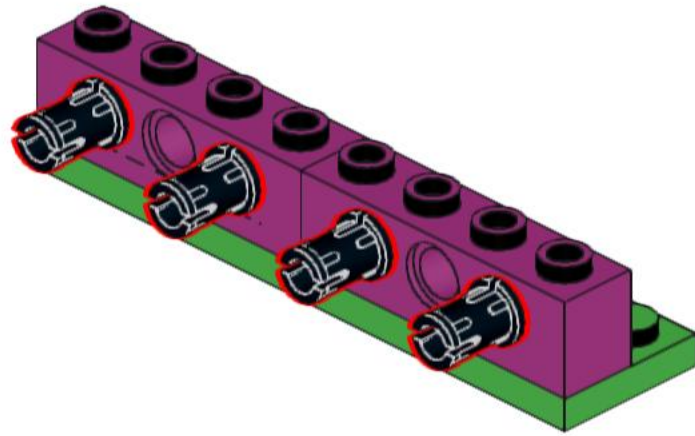
1



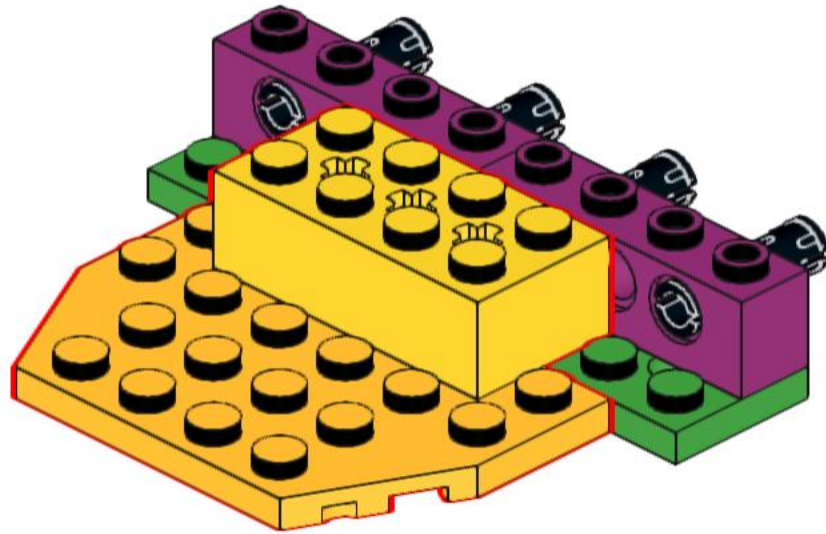
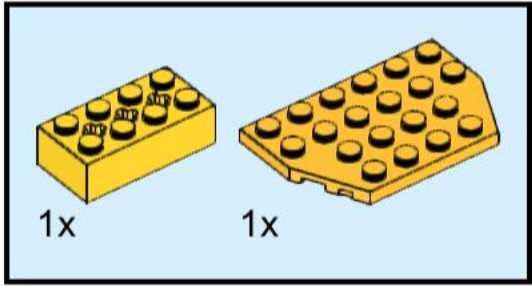
2



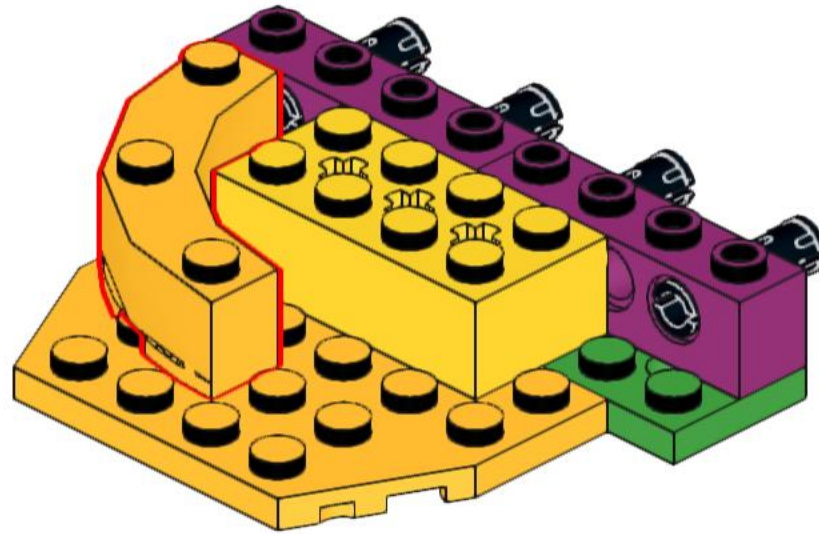
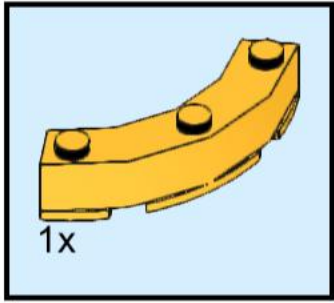
3



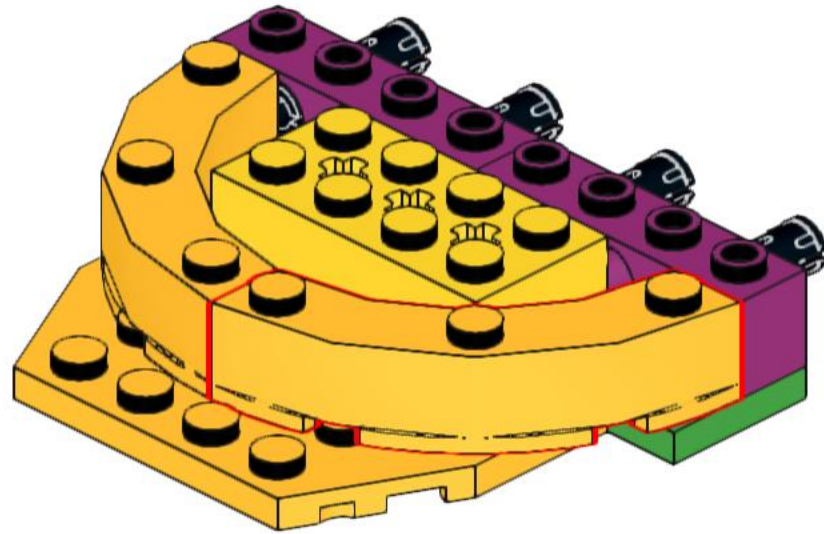
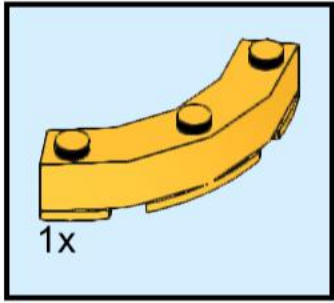
4



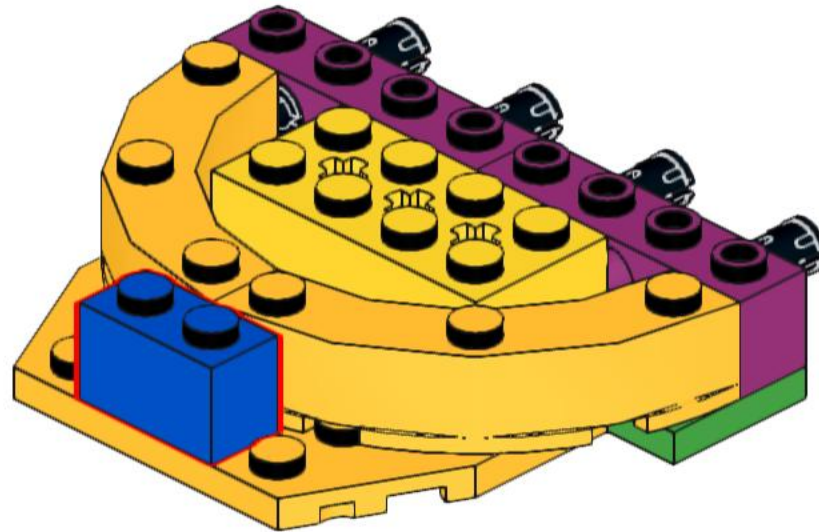
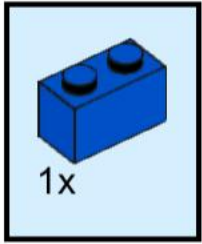
5



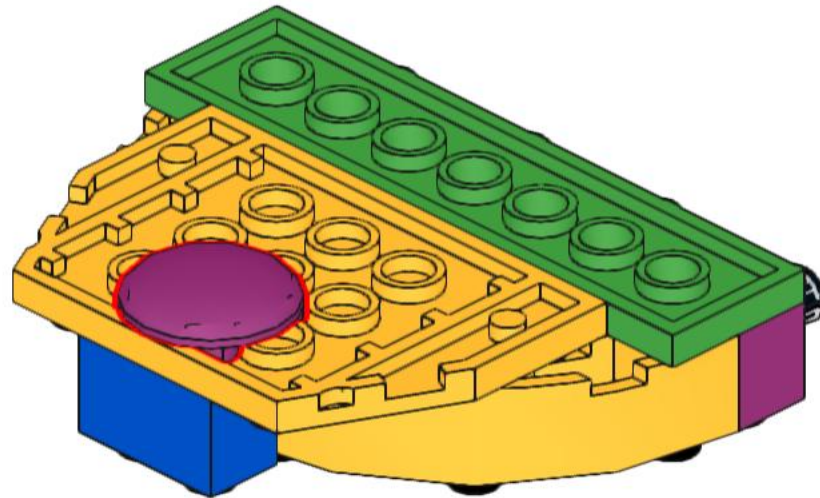
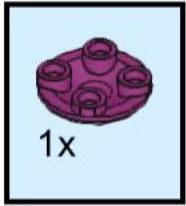
6



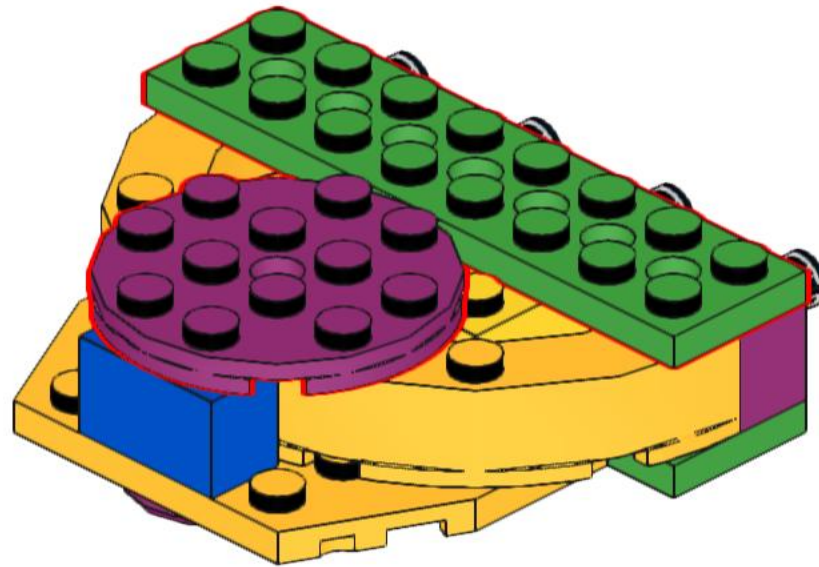
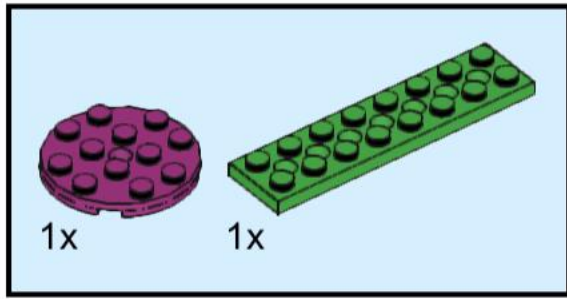
7



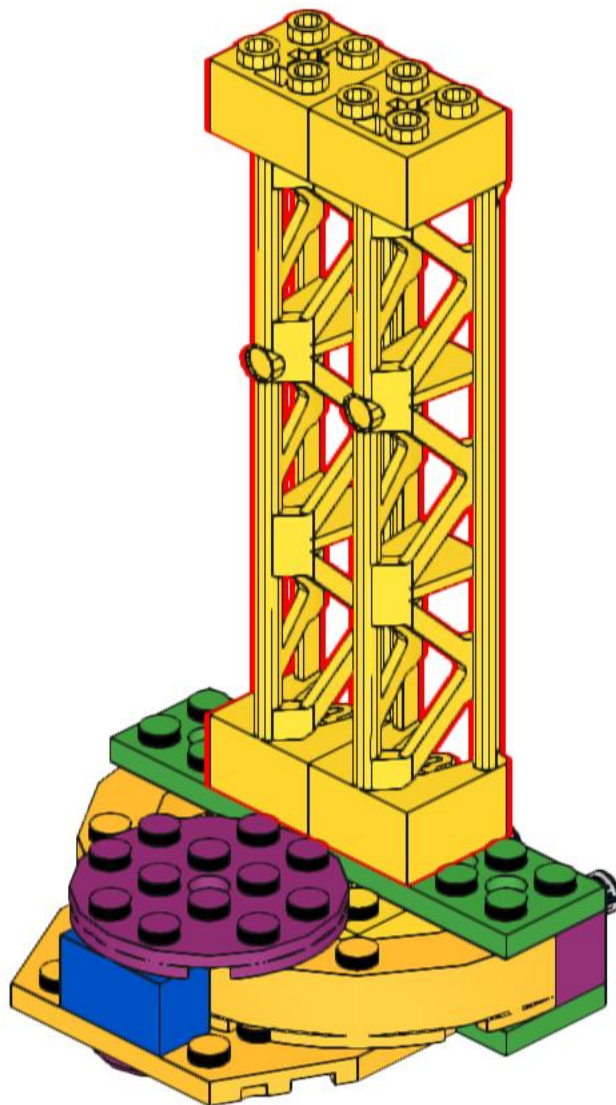
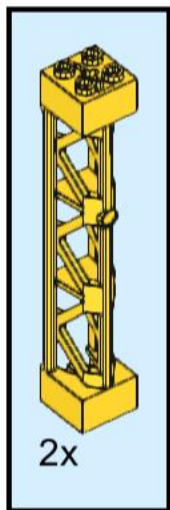
8



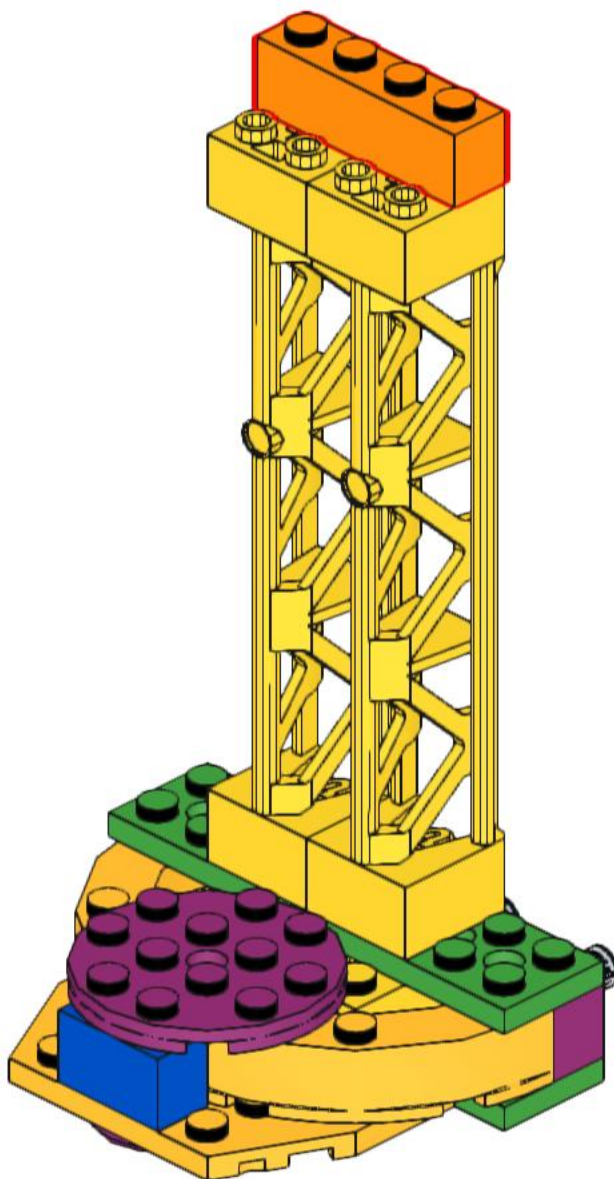
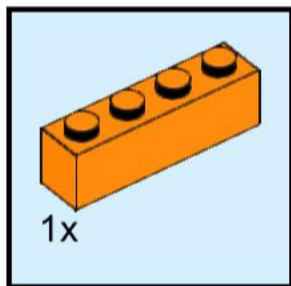
9



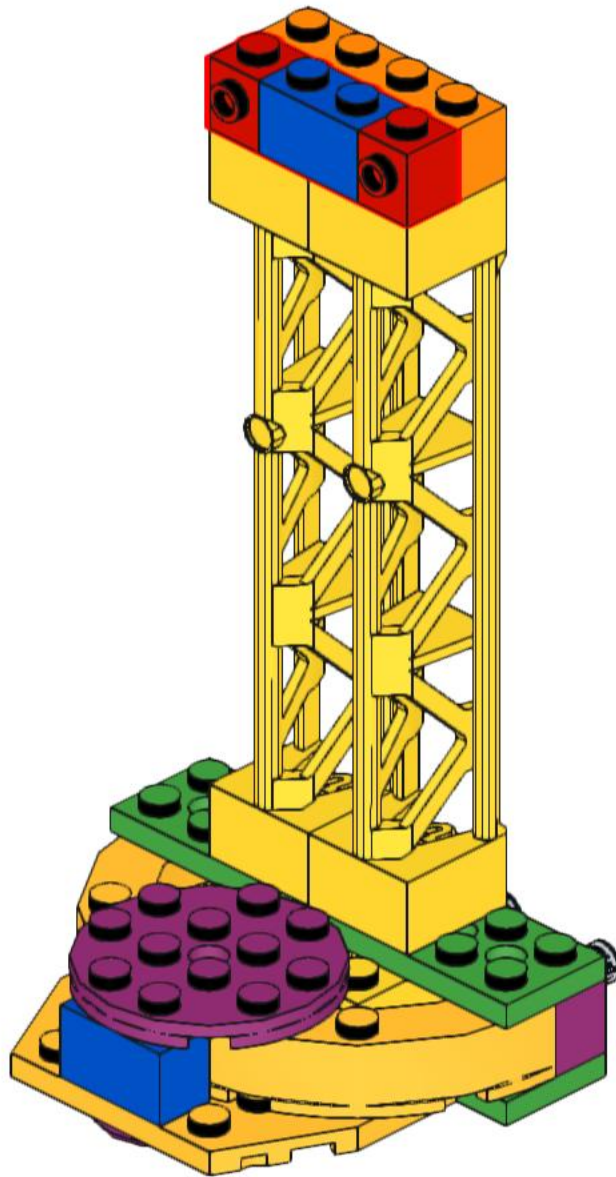
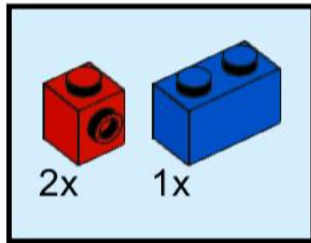
10



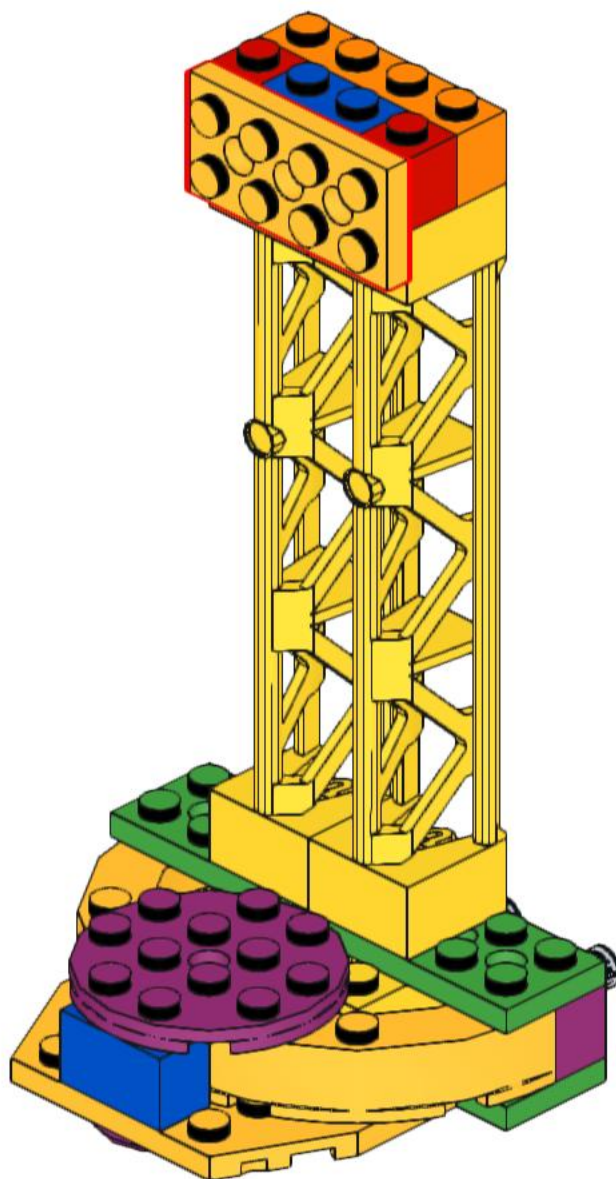
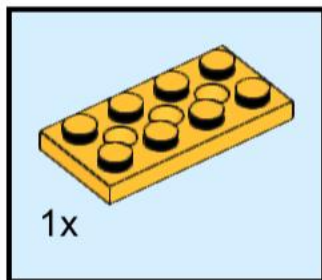
11



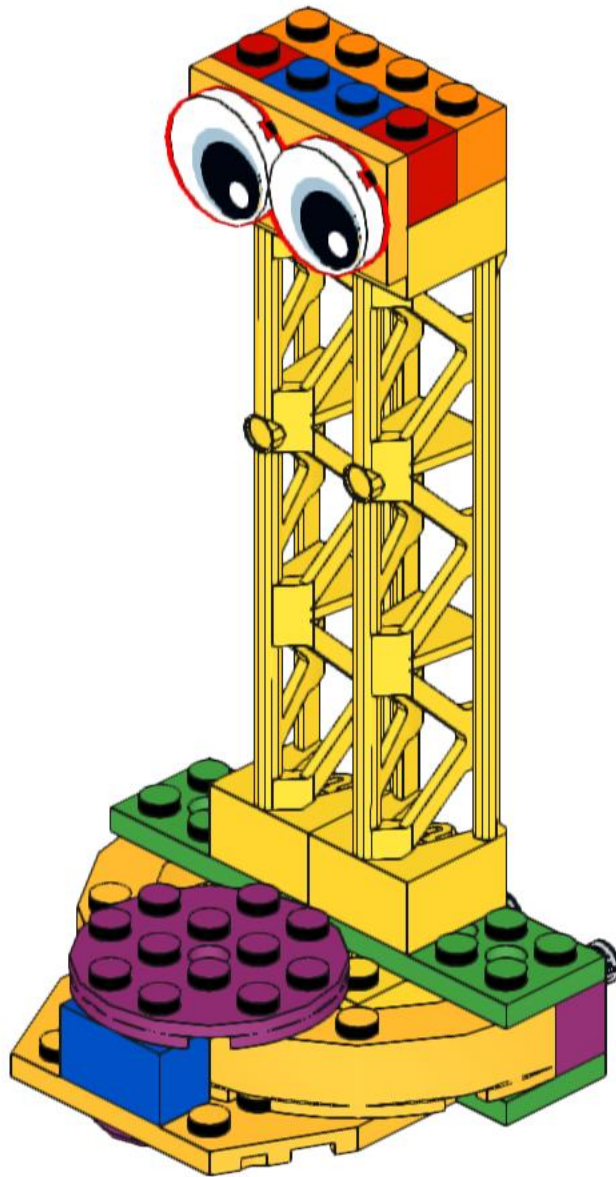
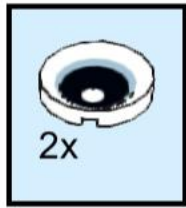
12



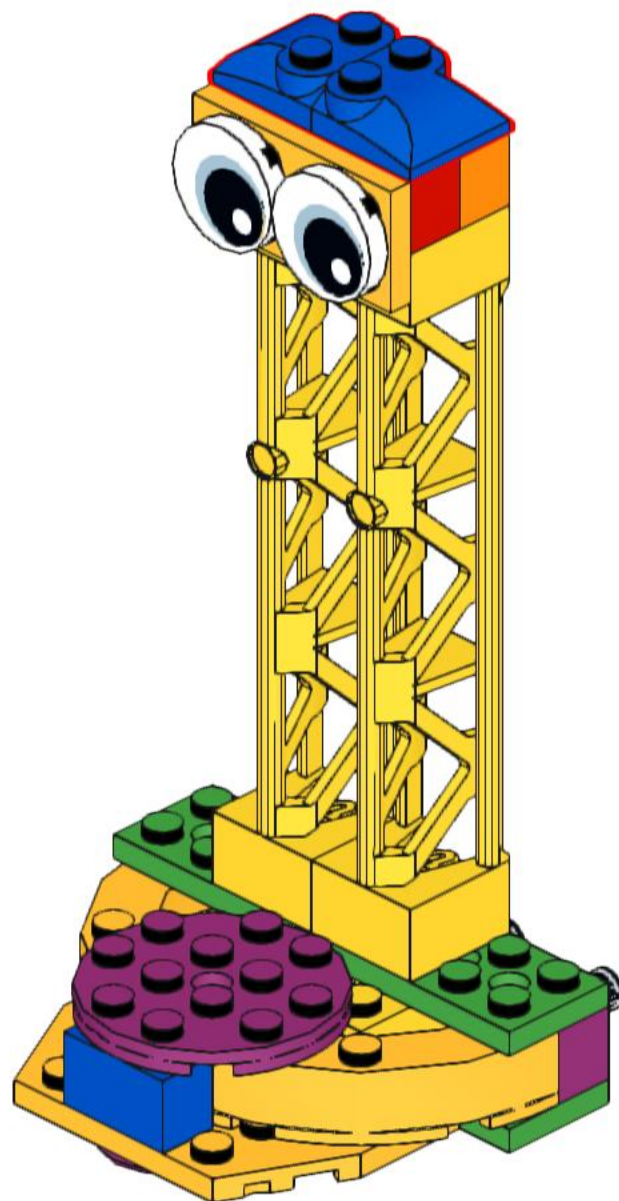
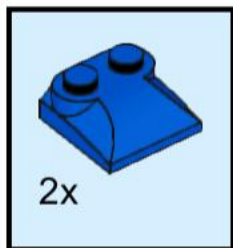
13



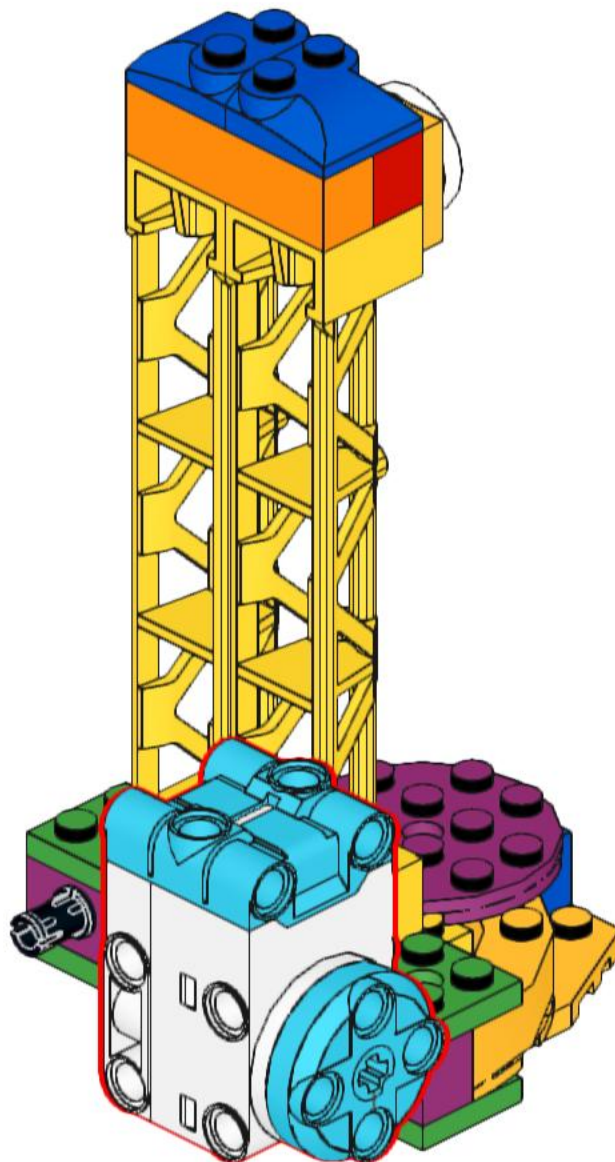
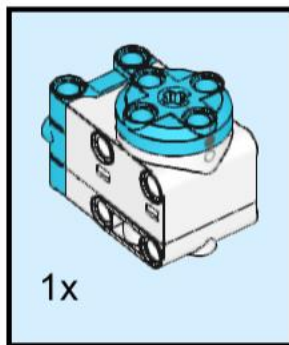
14



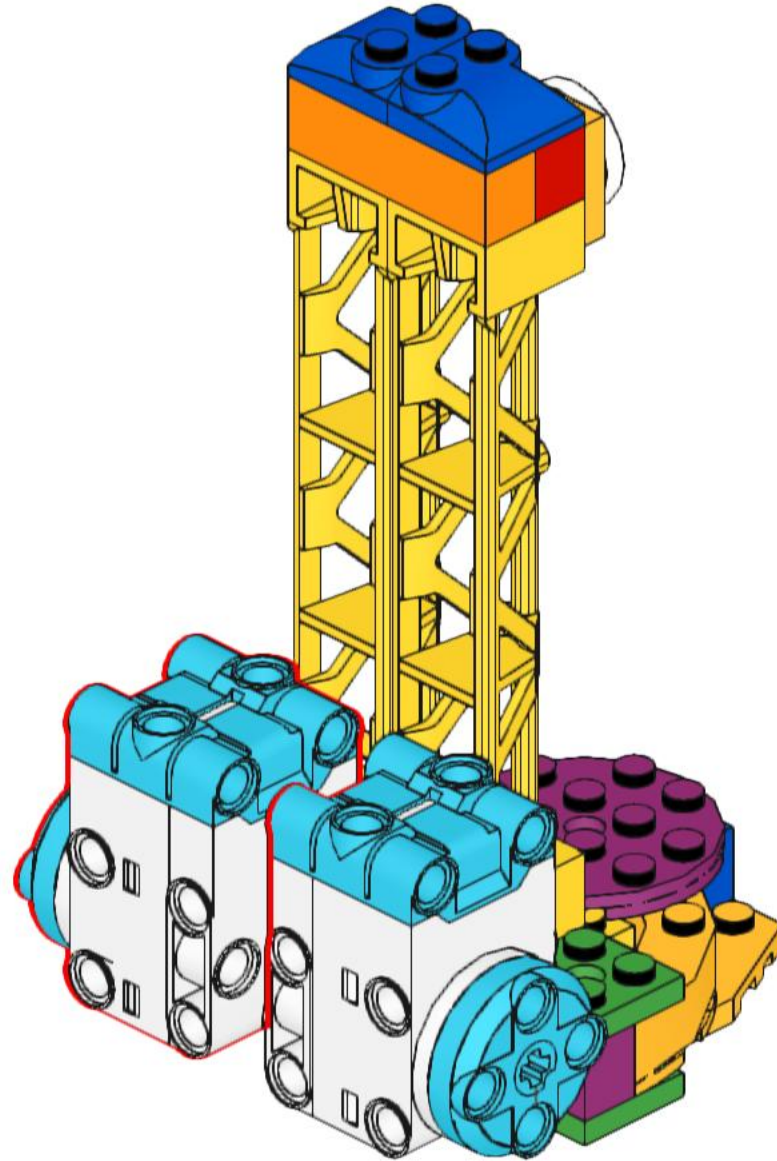
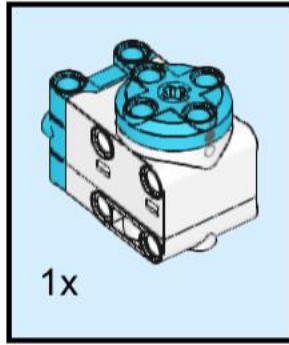
15



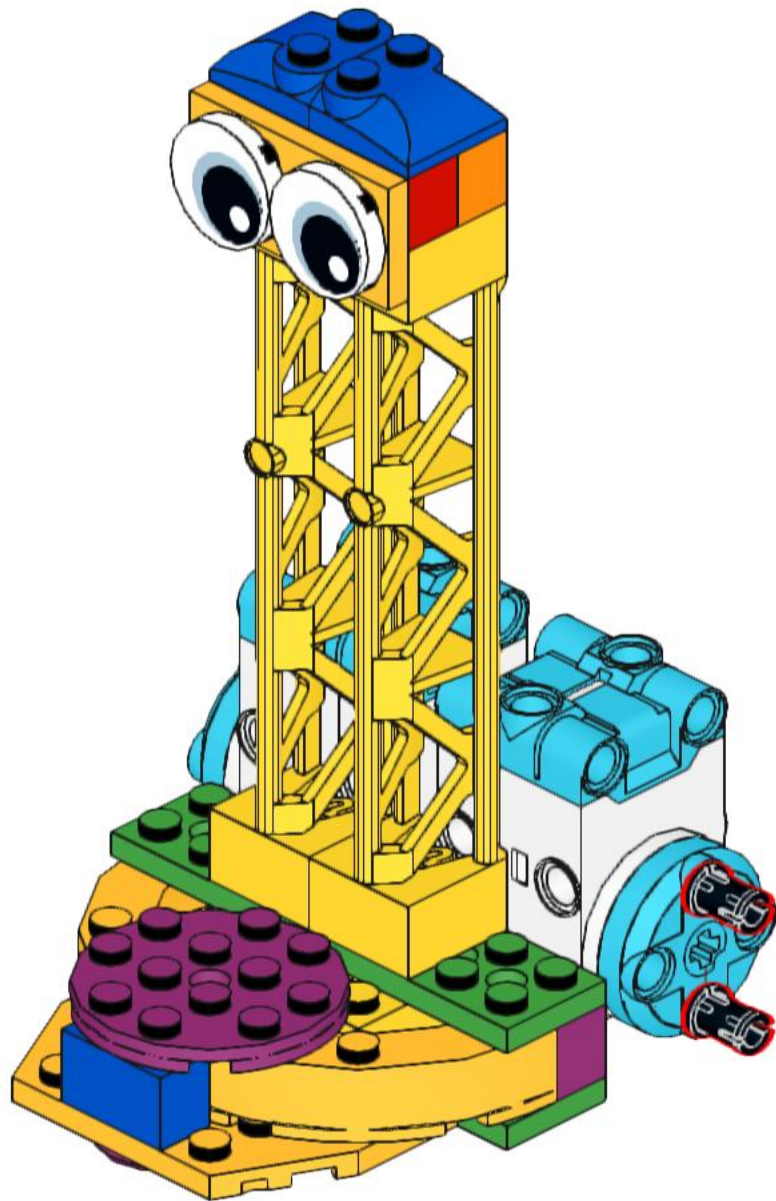
16



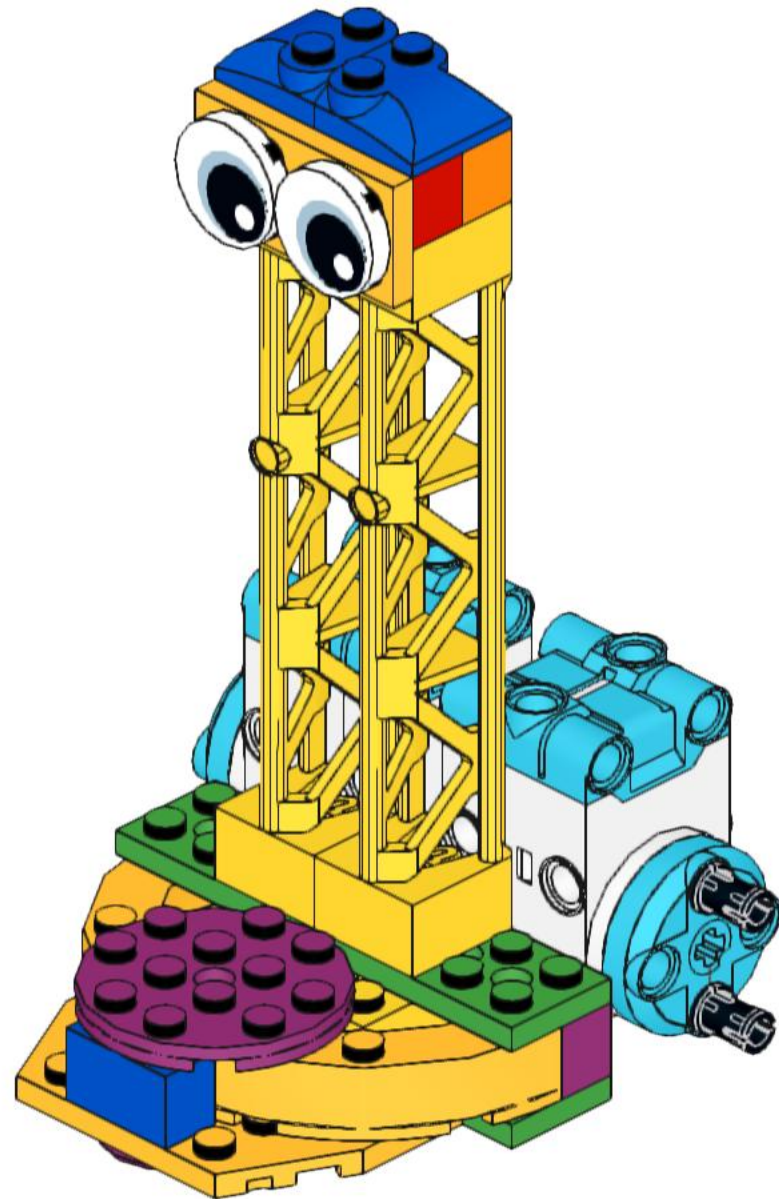
17



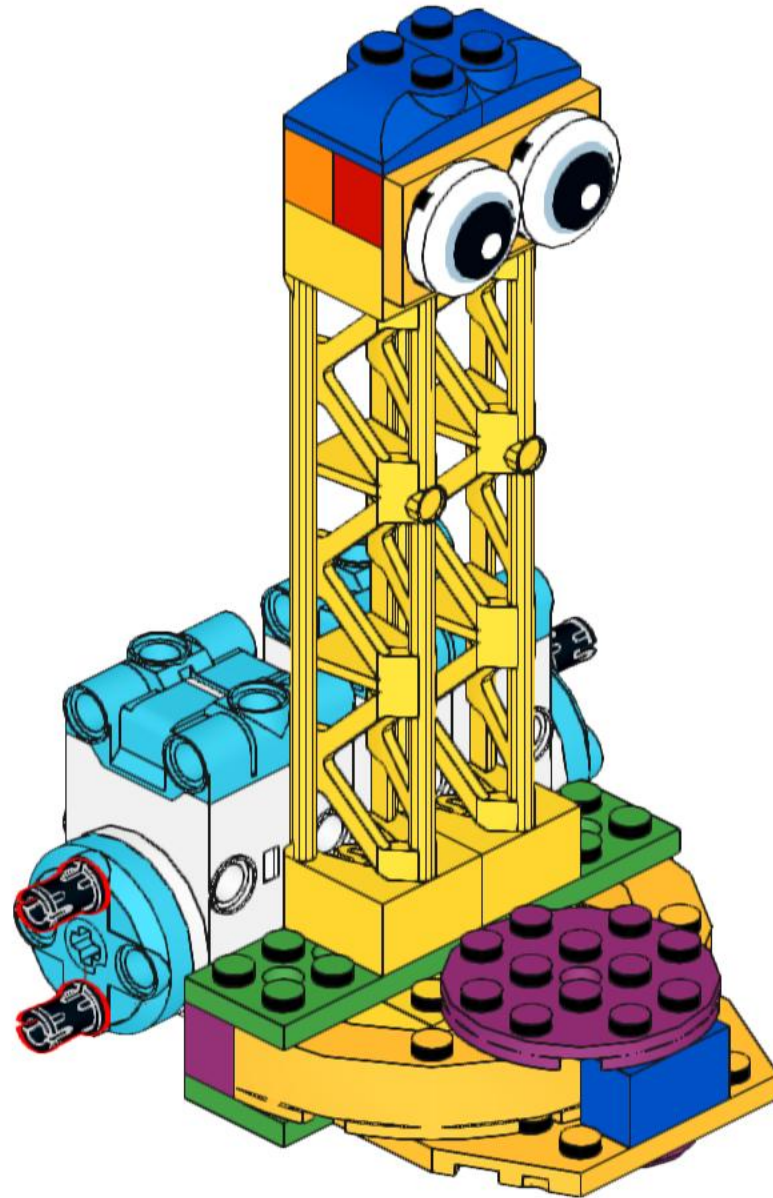
18



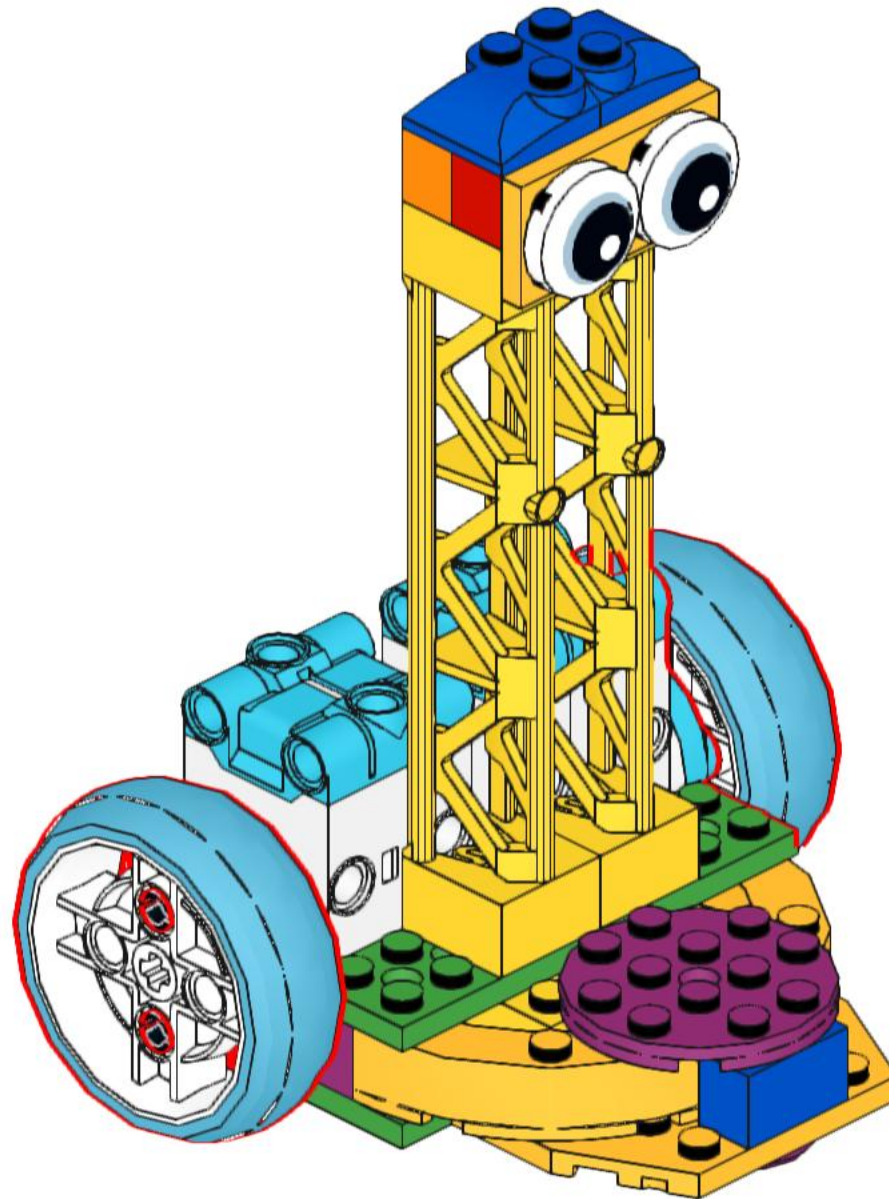
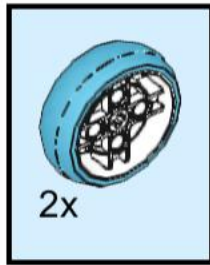
19



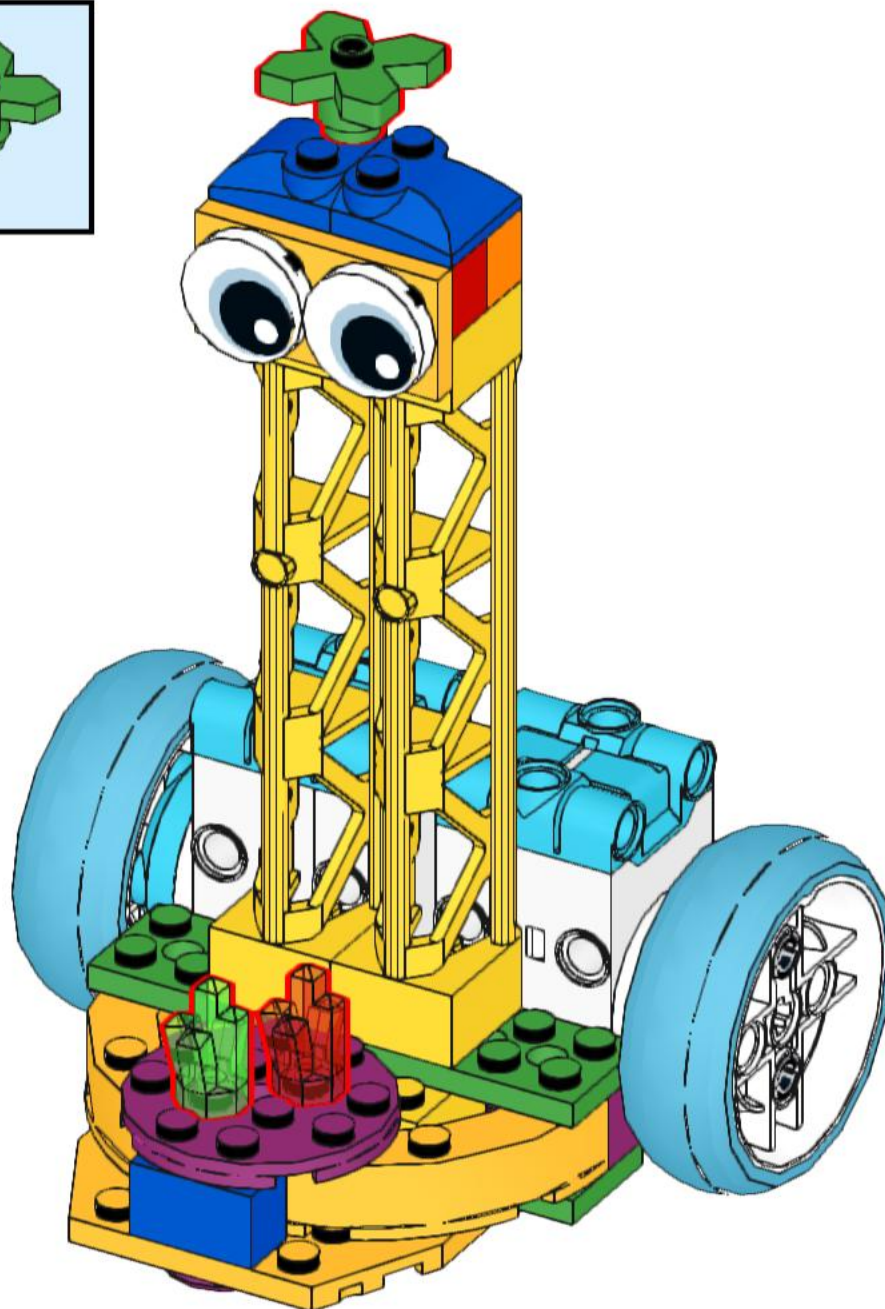
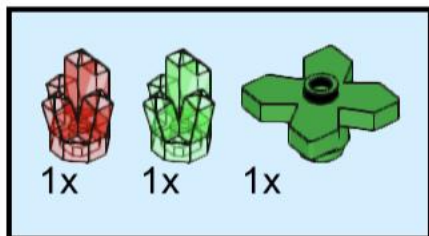
20



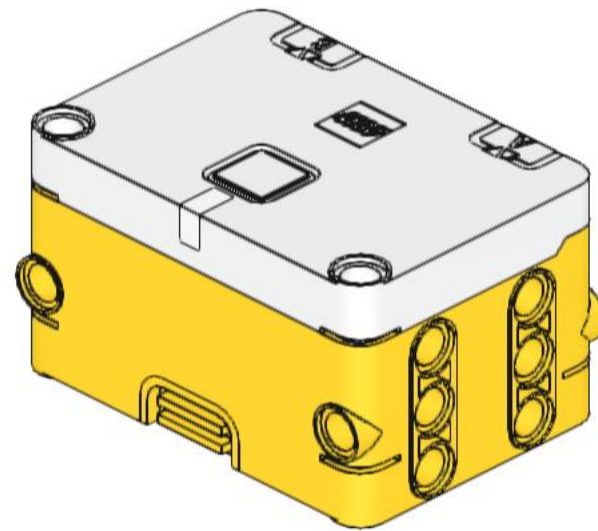
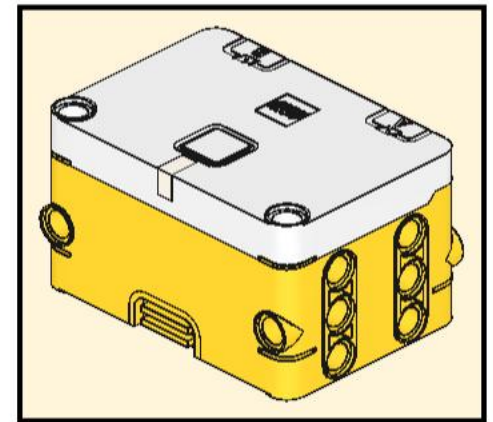
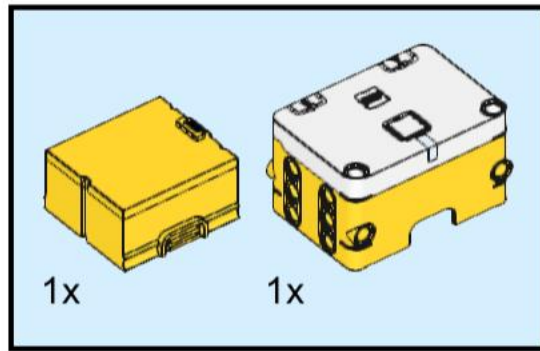
21



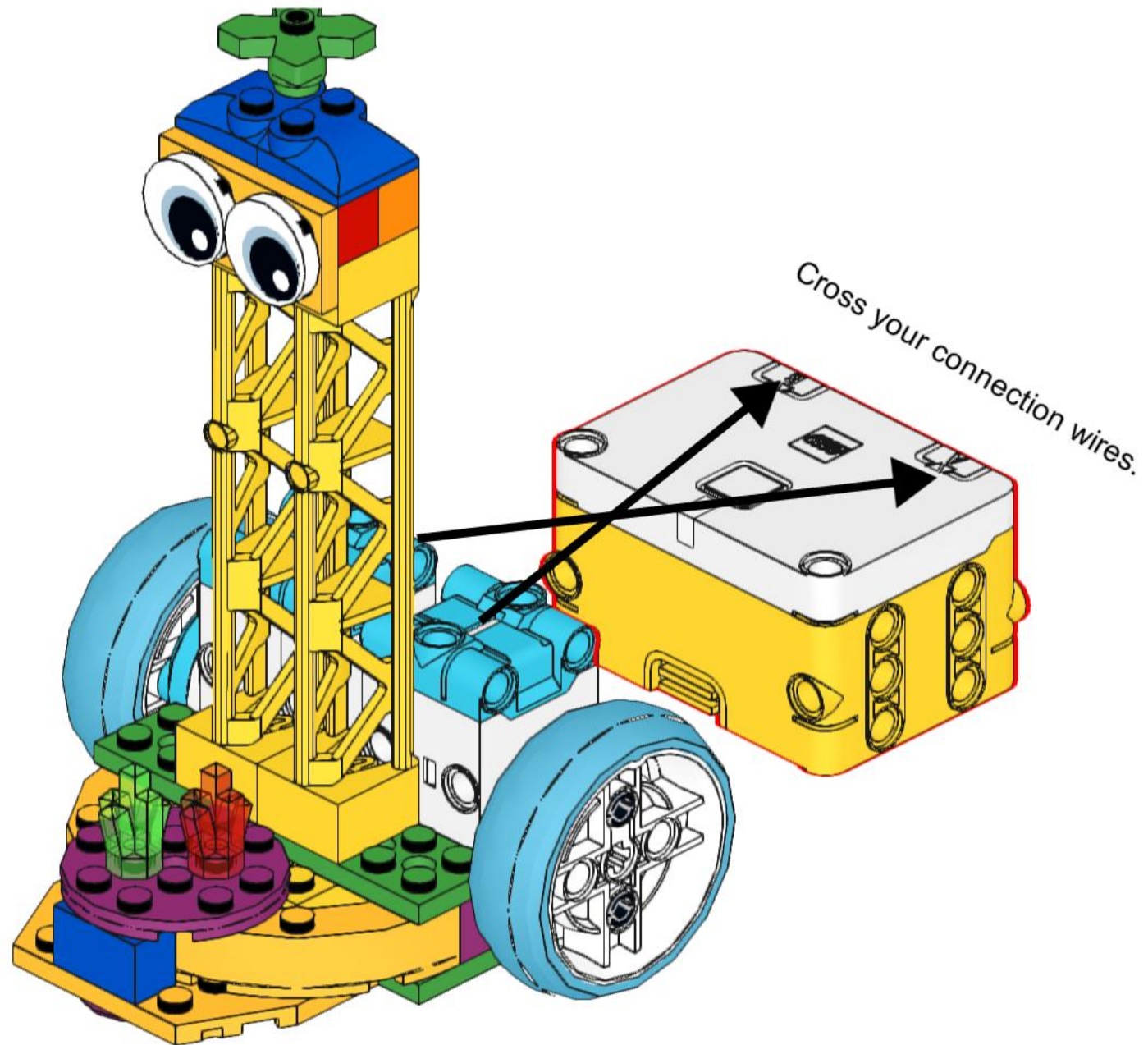
22



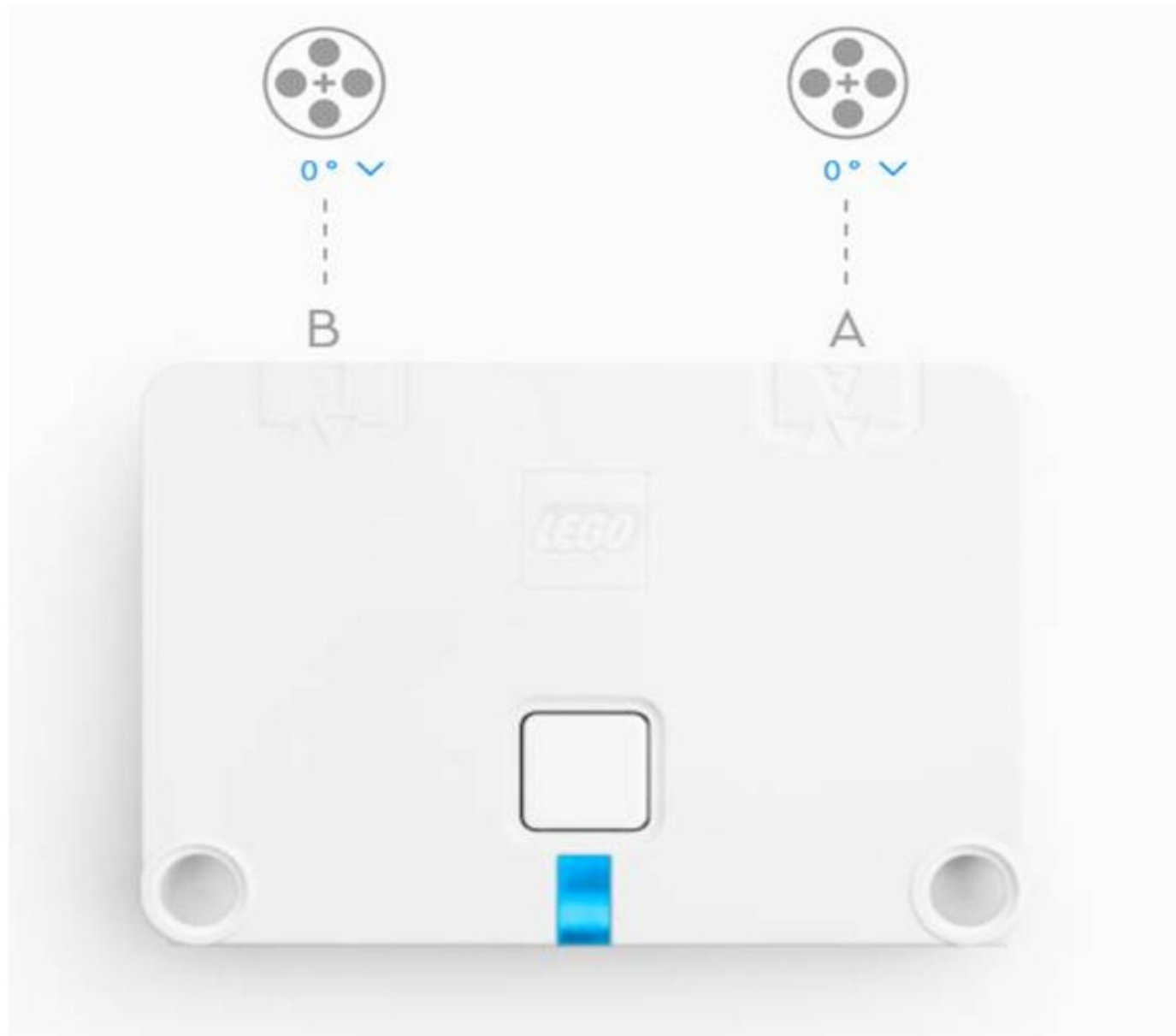
23



24



Tilt Drive Controller Port Connections



Tilt Drive Controller Code

